



**2 non polarized wires Audio & video BUS**



## Summary:

### V2plus Overview

Range of products

Panels: Stadio, Nexa, Nexa INOX, Rock INOX

Monitors: T-7722VD, Tekna, Szena

### Installation types

Type 1

Standard: EL520 vs EL500/V2Plus

Nexa: CD-2Plus / CD-V2plus

Type 2

CD-V2plus as codifier of riser, code panels

Multiplexer MC-V2Plus to reach more V2plus risers.

Type 3

CD-V2Plus & MC-V2plus in combination

Extensions with RD-V2Plus



## 2Plus & V2Plus Overview



### History

- 2 wires is the evolution of more than 15 years experience in digital intercom systems (Plus tech 6 wires). Golmar was the first Spanish company launching a digital intercom in 1994.
- First 2 wires system launched was 2Plus in year 2006.
- The evolution of 2 wires audio (2Plus) arrived in year 2008 as V2Plus system.2008
- More than 22,000 V2plus monitors installed since 2008
- More than 53,000 2 Plus audio handsets sold since 2006
- 2Plus still exists because is a cheaper system.

### Common features:

- 2 wires non polarized BUS- Possible to be installed with Push buttons panels or code panels.
  - Up to 100 meters distance on the riser (extensible using RD-V2Plus).
  - Panels available: Stadio, Nexa, Rock INOX.
  - Audio handsets: T-700 series (soon available T-500 series for V2Plus only)



## 2Plus & V2Plus Overview



### 2 Plus specs

- up to 3 accesses in Stadio panel. (expandable by using converters)
- up to 120 apartments/units using push buttons panels
- up to 200 apartments/units using code panels in one riser (requires converter).
- system expandable in terms of number of units by using converter CD-2plus
- up to 2 parallel units inside an apartment.
- no need of distributors. Electrical connections.
- 12Vdc output for lock release.

### V2Plus specs

- up to 3 accesses in Stadio panel (using column multiplexer).
- up to 120 monitors/units using push buttons panels.
- System expandable using converters.
- up to 3 parallel units inside an apartment.
- Needs video distributors (1 or 4 outputs available)
- 12 Vdc lock releases.



## 2Plus & V2Plus Overview



### Type of installations

#### Type 1: Small installations.

- 2Plus: One door entry panel. Up to 120 telephones
- V2plus: One door entry panel. Up to 32 monitors.
- 2Plus & V2Plus installations with Nexa panels using converters

#### Type 2: Medium installations.

- 2Plus: Three door Stadio entry panels. Up to 120 telephones.
- V2plus: Three Stadio entry panels. Up to 120 monitors.
- Multiriser system by using multiplexers.

#### Type 3: Big installations.

- 2Plus: Multiple buildings. Code panels and Concierge units.
- V2plus: Multiple Buildings. Code panels and concierge units
- Multi building and Multiriser using converters in combination with multiplexers and digital repeaters

### Panels:

- Stadio, Rock Inox.
- Nexa Aluminium and Nexa INOX through converters (Plus tech).
- Code panels through converters (Plus tech).



Stadio



Rock INOX



Nexa Alu



Nexa INOX

## Range of products



### 2 Plus:

EL520: Main microprocessor. Contains connections for 8 push buttons

EL516SE: Expansion module for 15 buttons more. (max= 15x8=120)

FA-Plus/C: Power supply for 2Plus systems. 18 Vdc



### V2Plus:

*EL500/V2Plus*: Main microprocessor. Contains connections for 8 buttons)

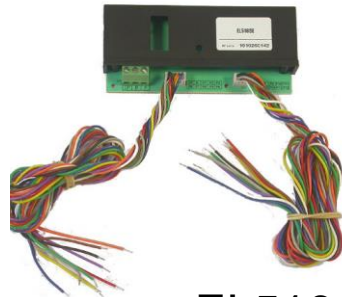
*EL516SE*: Expansion module for 15 more buttons. (max= 15x8=120)

*EL530/EL531*: Camera module (bw/color)

*FA-V2Plus*: Power supply required for V2Plus systems. 25,5 Vdc



EL500/V2plus



EL516



EL520



EL530/EL531



FA-Plus/FA-V2plus



## Range of products



Accessories available:

- Rainshields
- Surface Boxes
- Surface boxes with rainshields
- Frames



Accessories available:

- Surface Boxes
- Surface boxes with rainshields



## Range of products



Alu



INOX

### 2 Plus:

EL640/Plus: Main microprocessor and audio module. Contains connections for  
EL610D: Expansion module for 10 buttons more.  
FA-Plus/C: Power supply for 2Plus systems.  
Needs a converter CD-2Plus (from Plus to 2Plus)

### V2Plus:

EL631/Plus: Main microprocessor and color camera module. Contains connections for  
EL610D: Expansion module for 10 buttons more.  
FA-V2Plus: Power supply required for V2Plus systems  
Needs a converter CD-V2Plus (from Plus to V2Plus)



EL640Plus/EL631Plus



EL610D



FA-Plus/C & FA-V2plus

## Range of products



Alu

Accessories available:

- Surface Boxes
- Surface boxes with rainshields



INOX

Accessories available:

- Surface Boxes
- Surface boxes with rainshields

## Range of products



Monitors

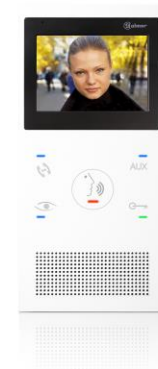
Platea V2Plus



Tekna V2plus



Szena V2plus



Audio handsets

T-7722VD



T-7822VD



T-7720VD



T-5822VD





## TYPE I

### Type 1: Specifications



□ small installations.

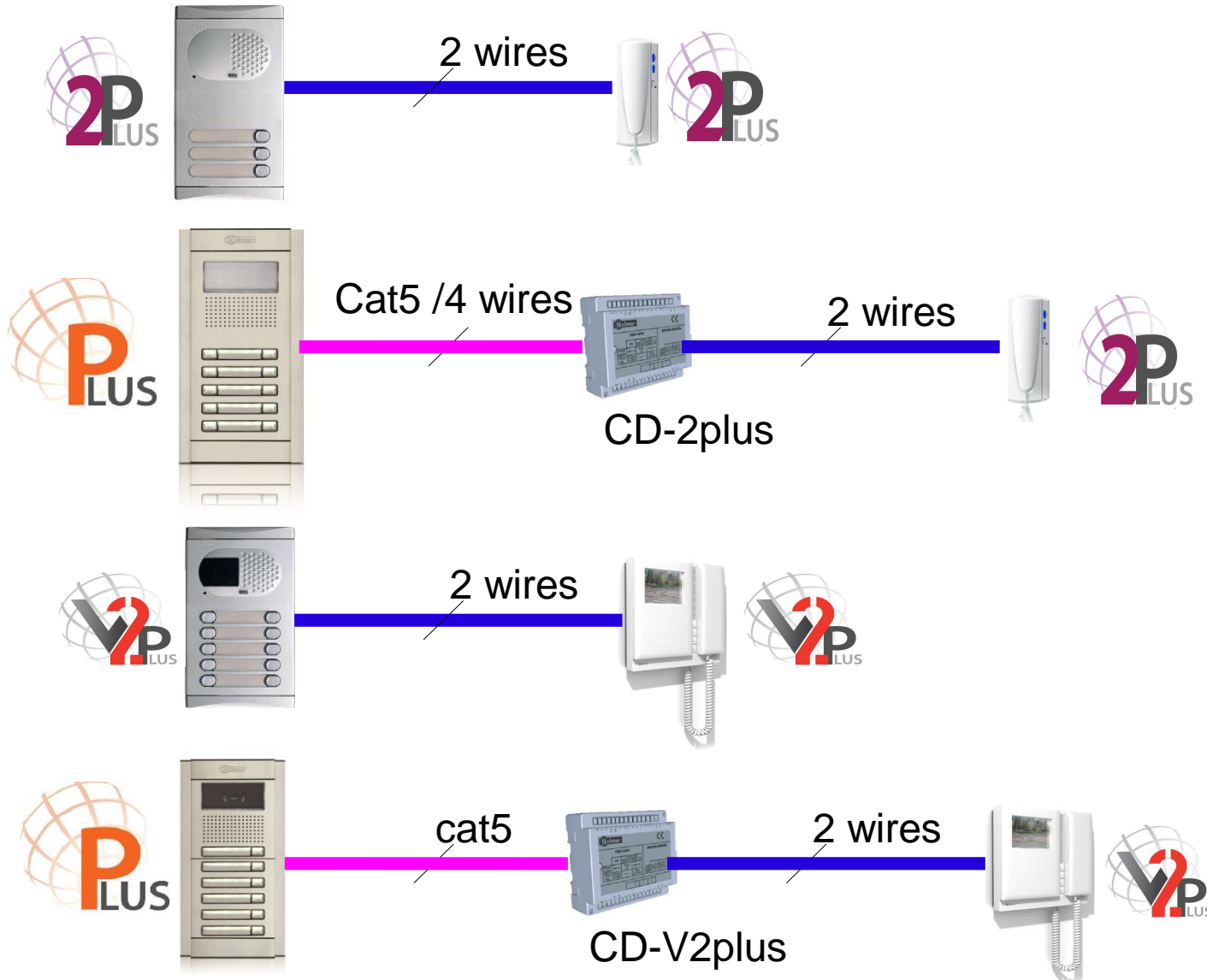
#### **2Plus**

- 3 door entry panels. (Stadio or Rock INOX)
- Nexa entry panels by using converter CD-2Plus
- 120 telephones
- Up to 2 devices per apartment

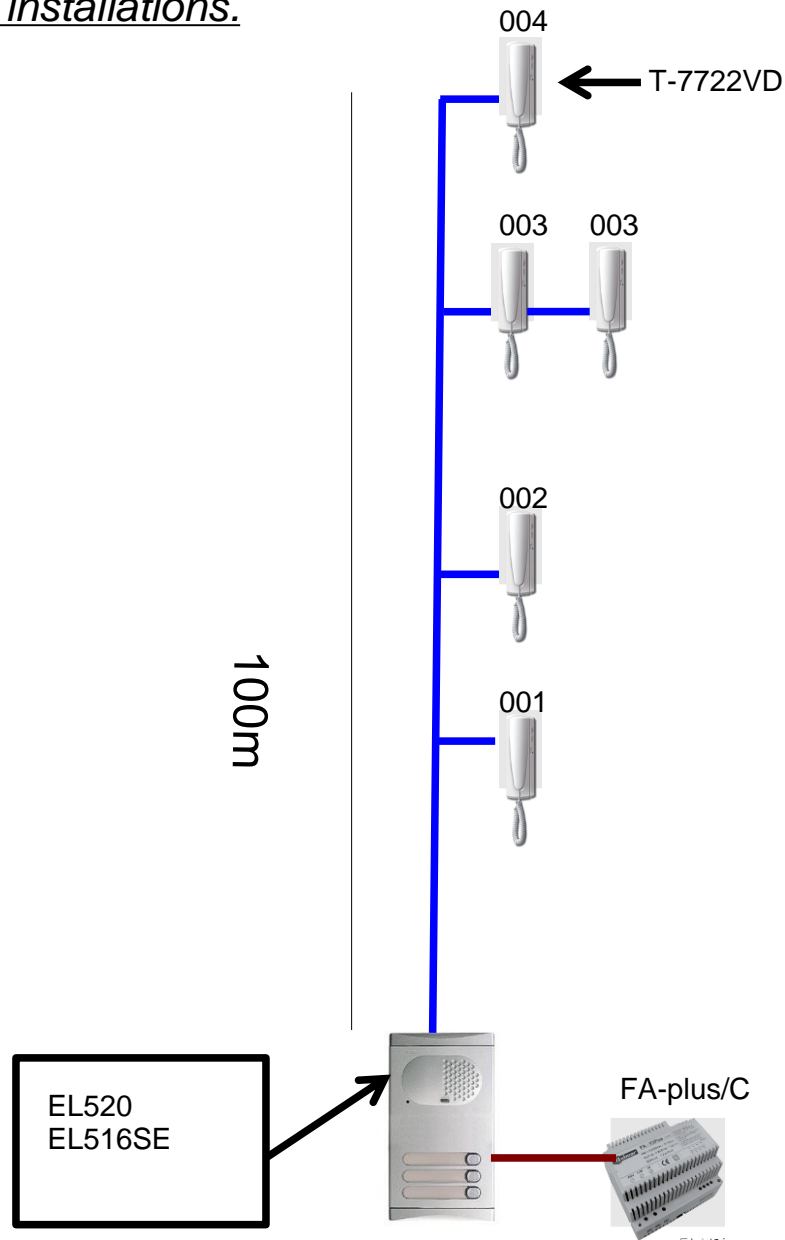
#### **V2plus**

- 1 entry panel (Stadio or Rock INOX)
- Nexa entry panels by using converter CD-V2Plus
- Up to 32 items “Monitors / Handsets”
- Up to 3 items (Monitors, Handsets or Auxiliary sound devices “S-45”) per apartment.

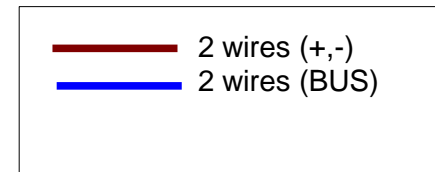
### Type 1: Small installations.



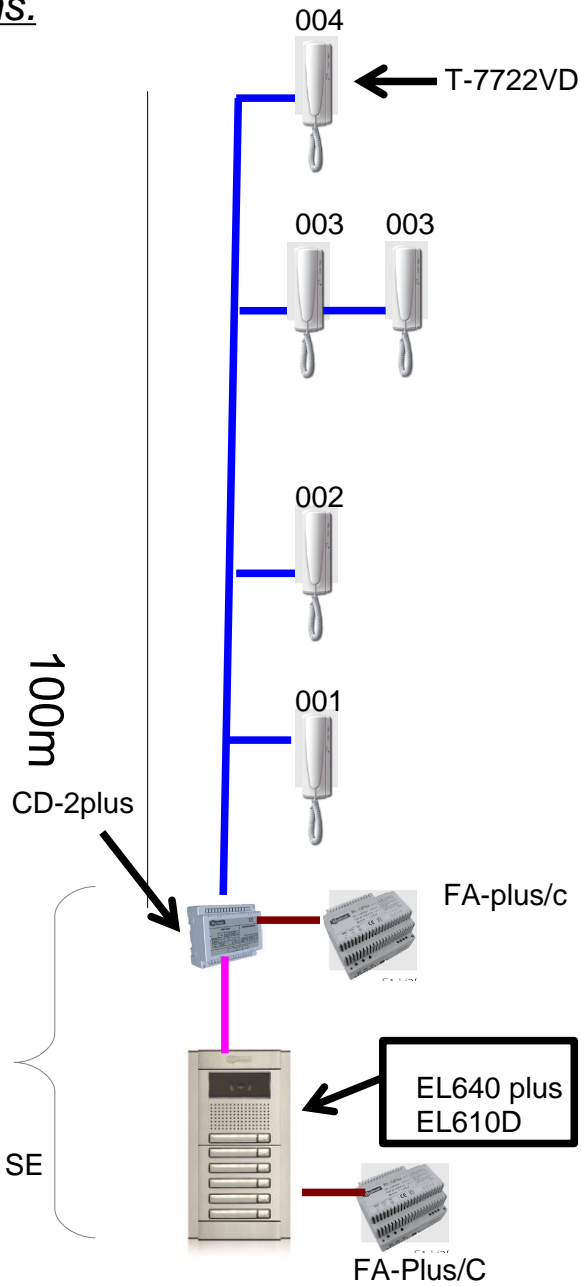
Type 1: Small installations.



- Maximum 120 units.
- 100 meters cable length maximum.
- Extension: 1000m.



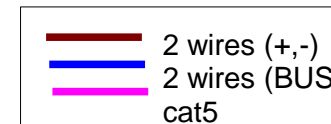
Type 1: Small installations.



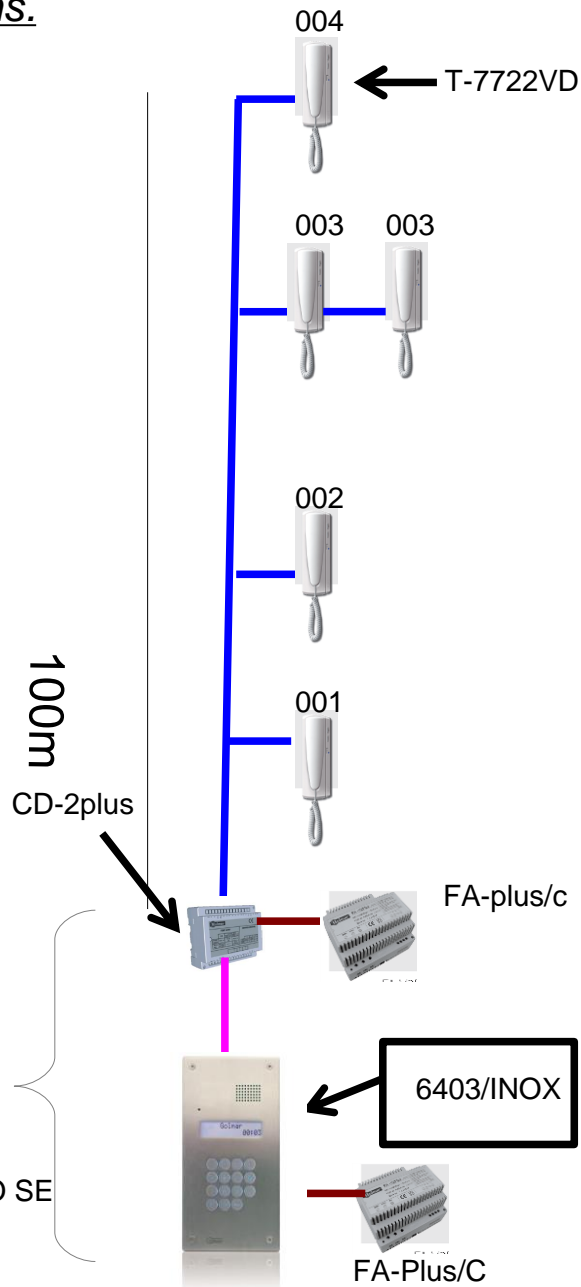
- Maximum 120 units.
- 100 meters cable length maximum.
- Extension: 1000m.

Audio: length 1000  
 Extension 2000  
 Data: Length 1000m x 3  
 Extension: 3000m x 3

Values x3 only using RD-Plus/UNO SE



Type 1: Small installations.



- Maximum 120 units.
- 100 meters cable length maximum.
- Extension: 1000m.

Audio: length 1000  
Extension 2000  
Data: Length 1000m x 3  
Extension: 3000m x 3

Values x3 only using RD-Plus/UNO SE

	2 wires (+,-)
	2 wires (BUS)
	cat5



Type 1: Small installations. EL520 and EL516



-7722VD:

S-	S+	BUS	HZ	HZ	PA	PB
----	----	-----	----	----	----	----

S+, S-: Connection to call repeater S-45.

BUS: Digital communication bus.

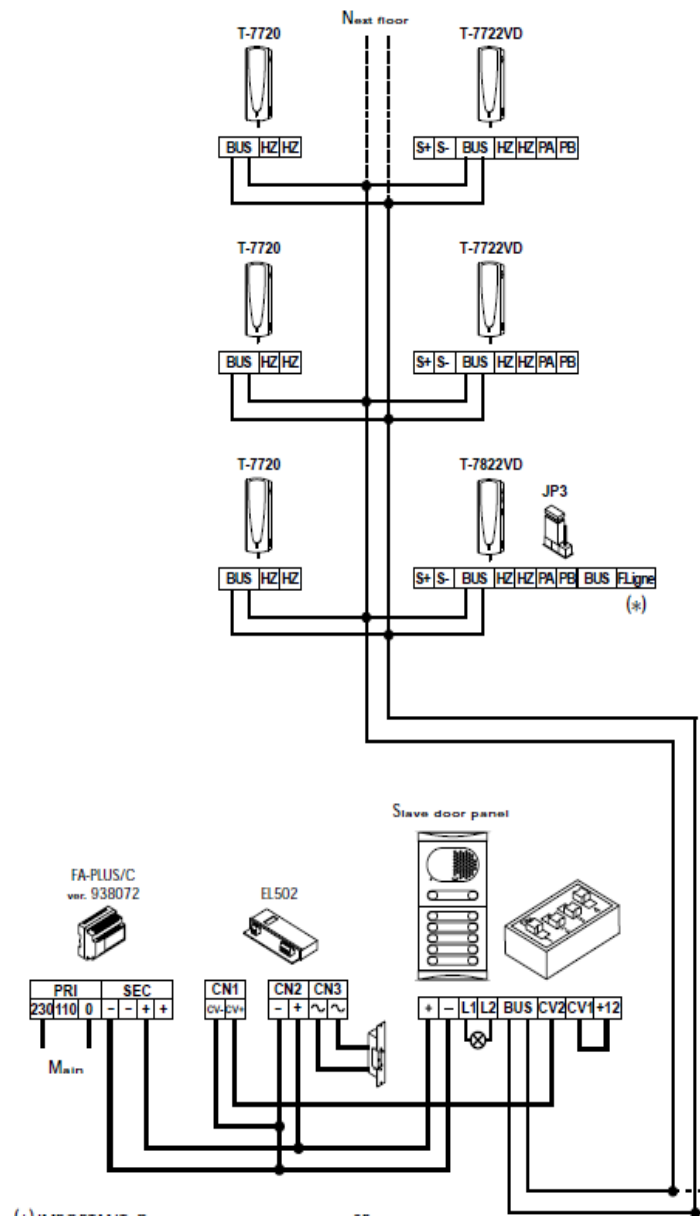
HZ : Connection to door bell.

PA, PB: Free-voltage connectors

- Audio handset to be connected by electrical connections.
- Call to concierge feature.
- Call volume adjustment and mute position.
- BUS Relay activation SAR-2Plus.
- Not compatible for video V2Plus installations.

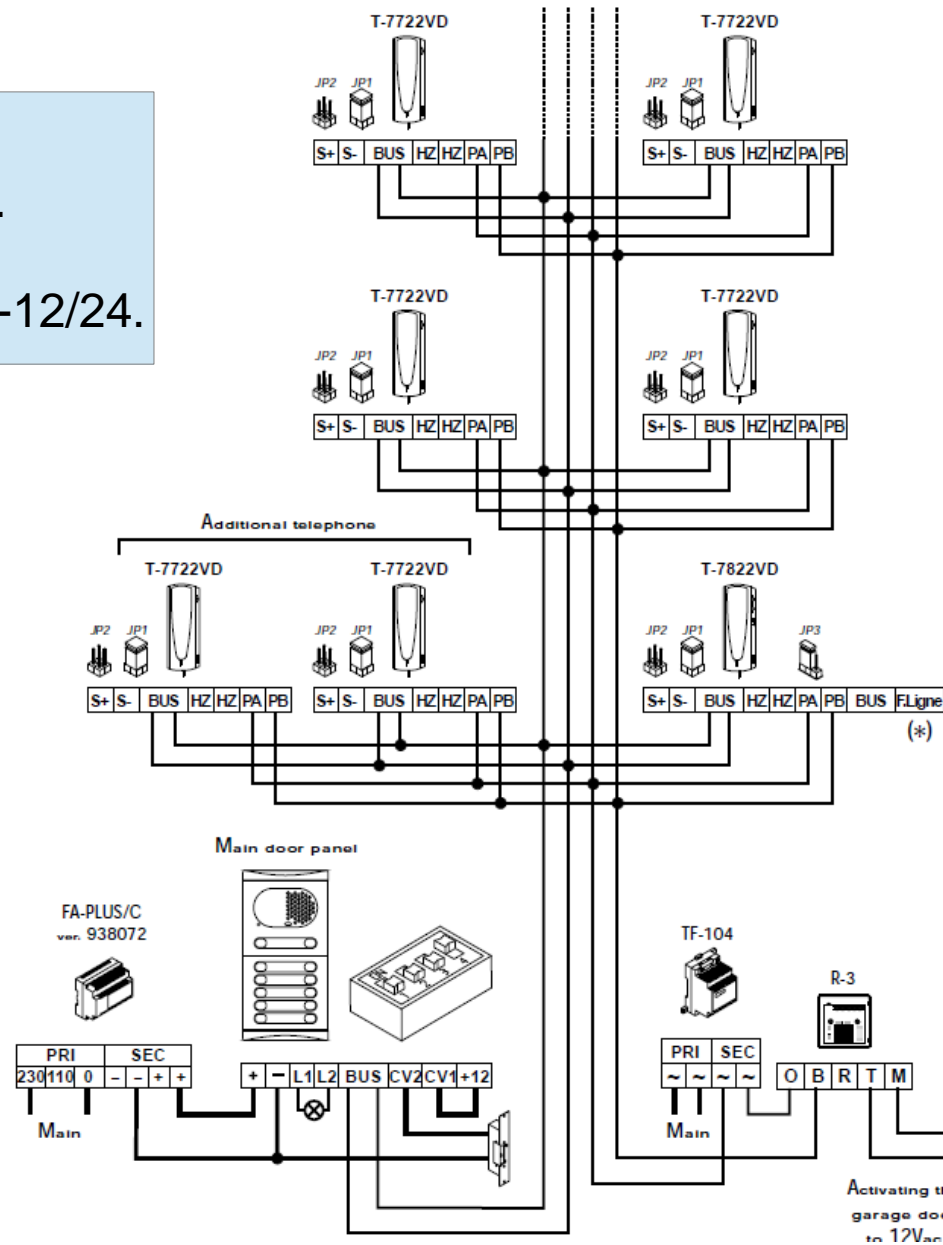


To be substituted by T-7720 (only one button, no volume adjustment)



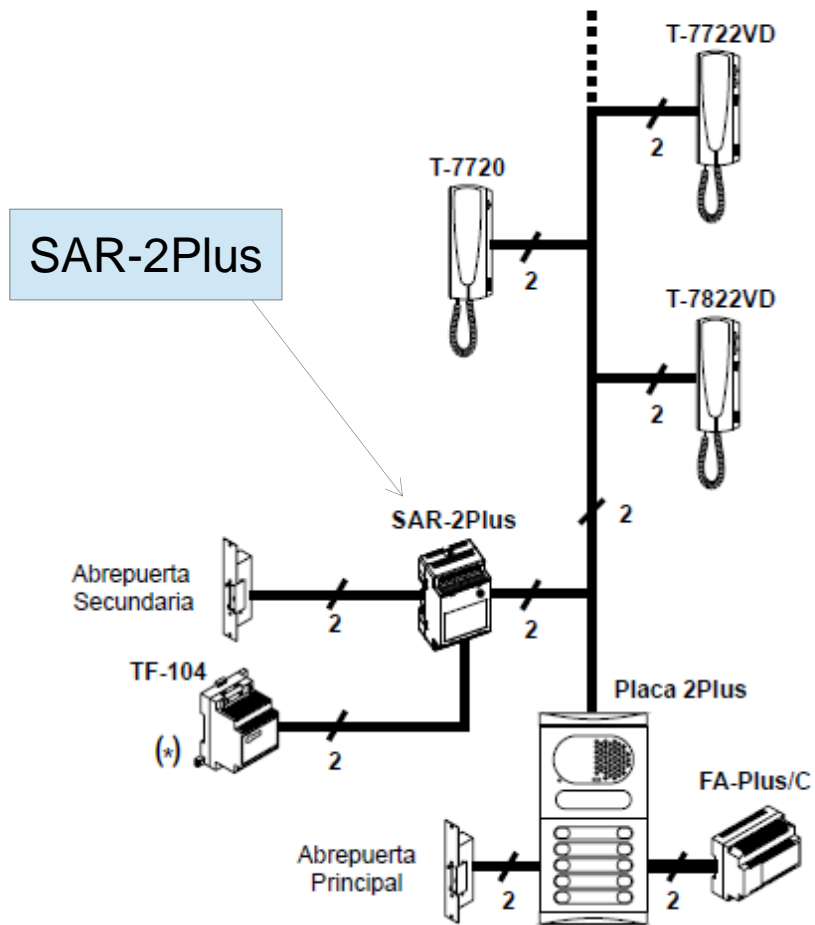
Simple system:  
 1 entrance  
 Up to 120 telephones T-7722VD

Simple system:  
Up to 120 telephones.  
PA-PB free contact.  
To activate relay SAR-12/24.

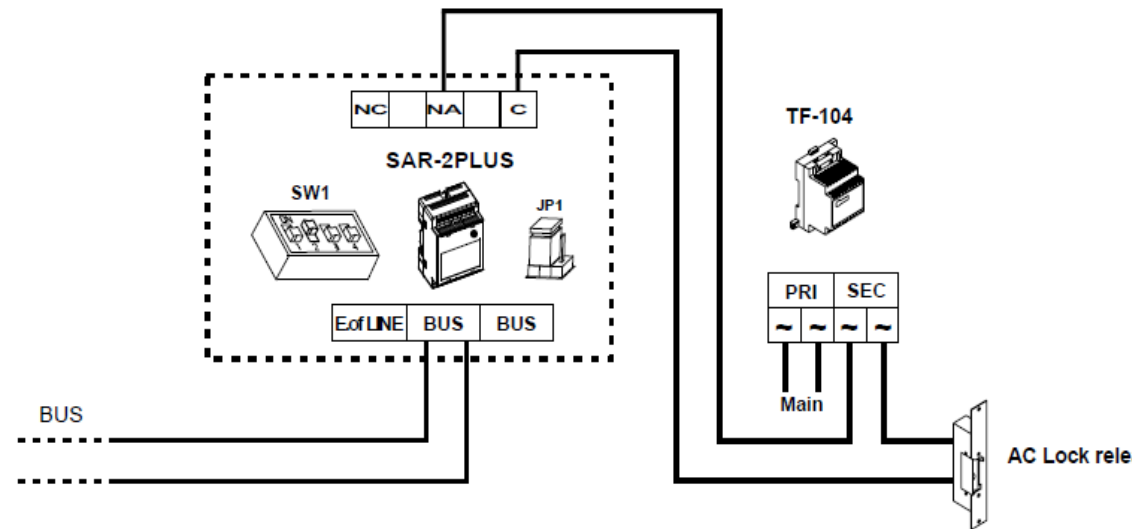


Activating the garage door to 12V<sub>ac</sub>

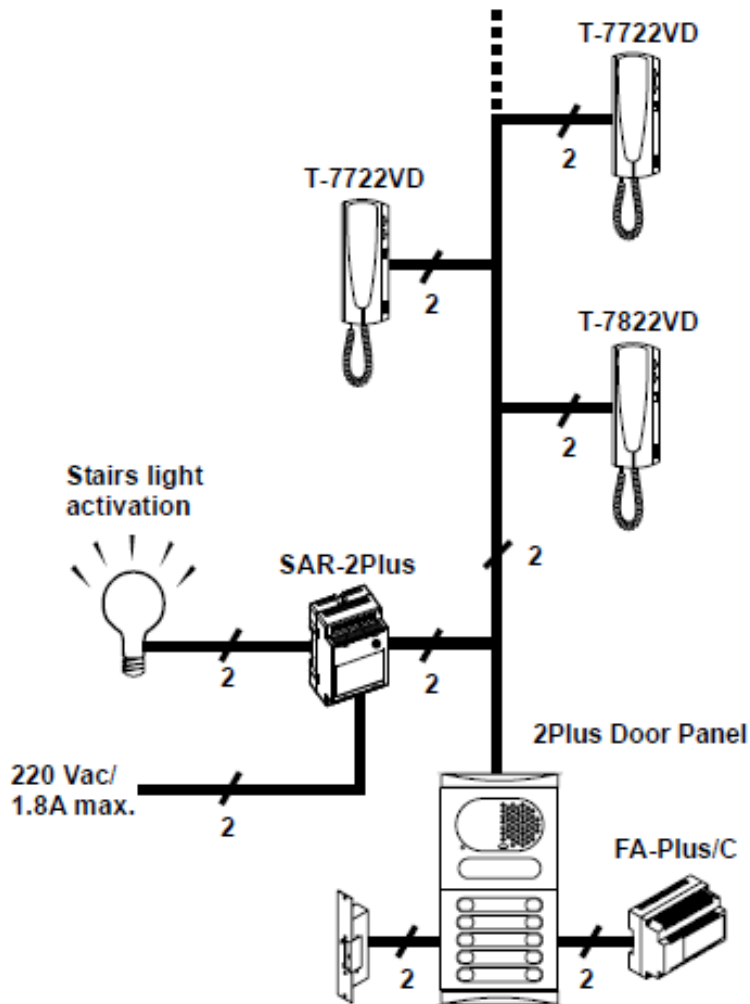
## Sistema 2Plus



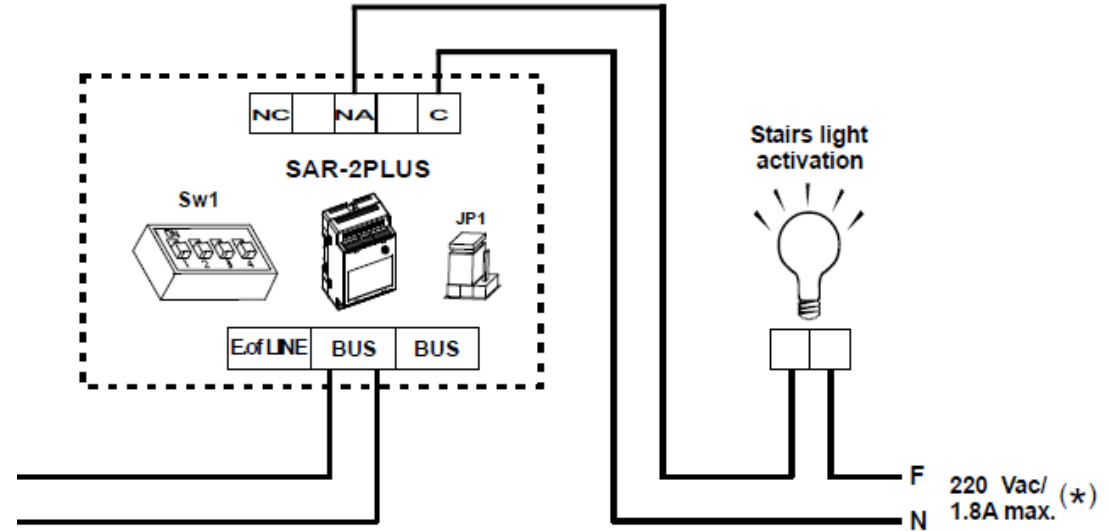
BUS relay: Relay used as door opener.



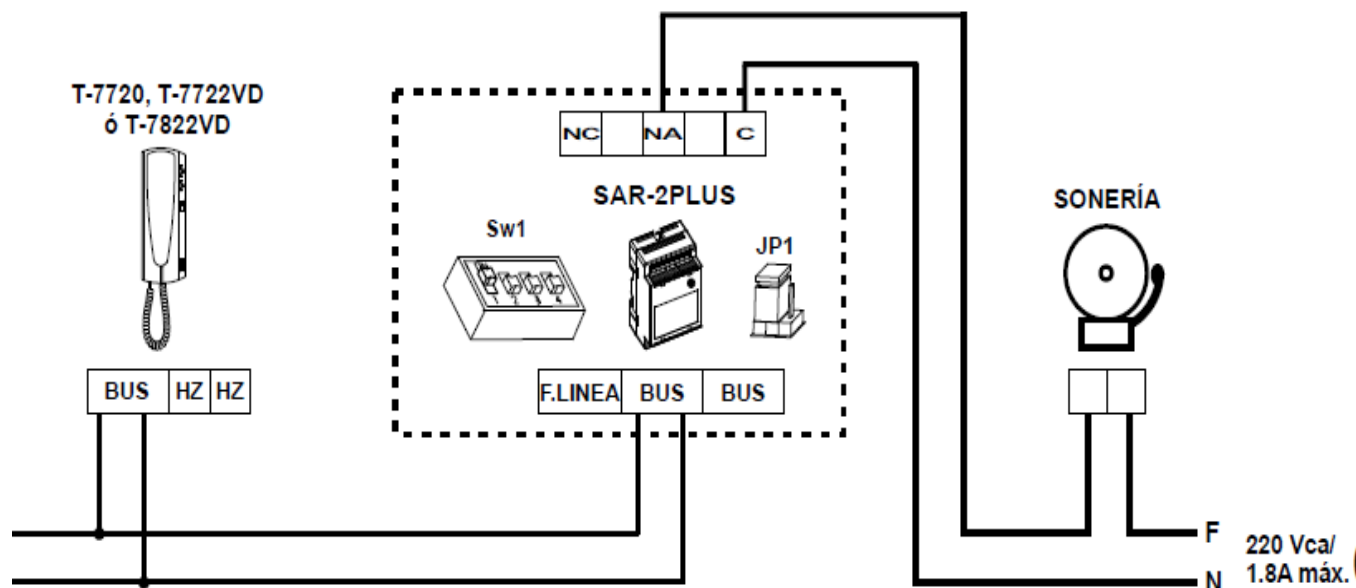
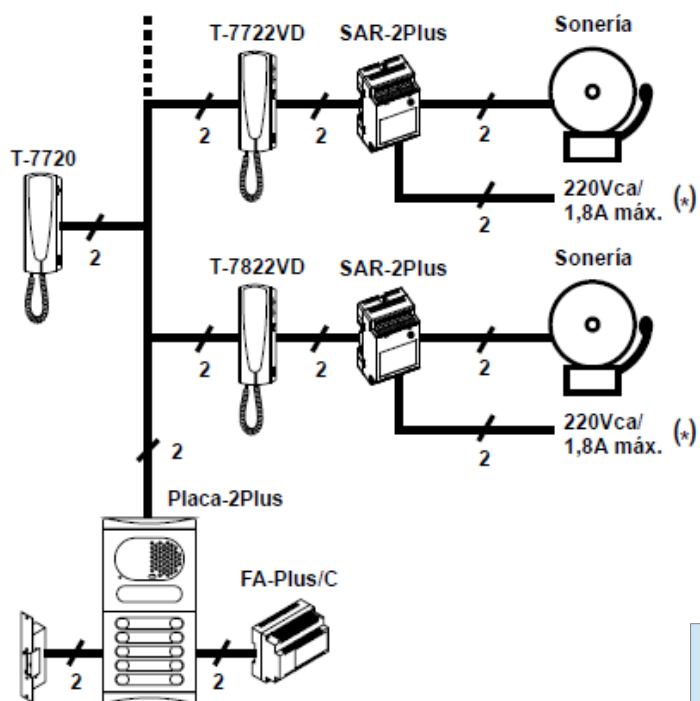
## 2Plus System



Bus relay: Used to activate lights.



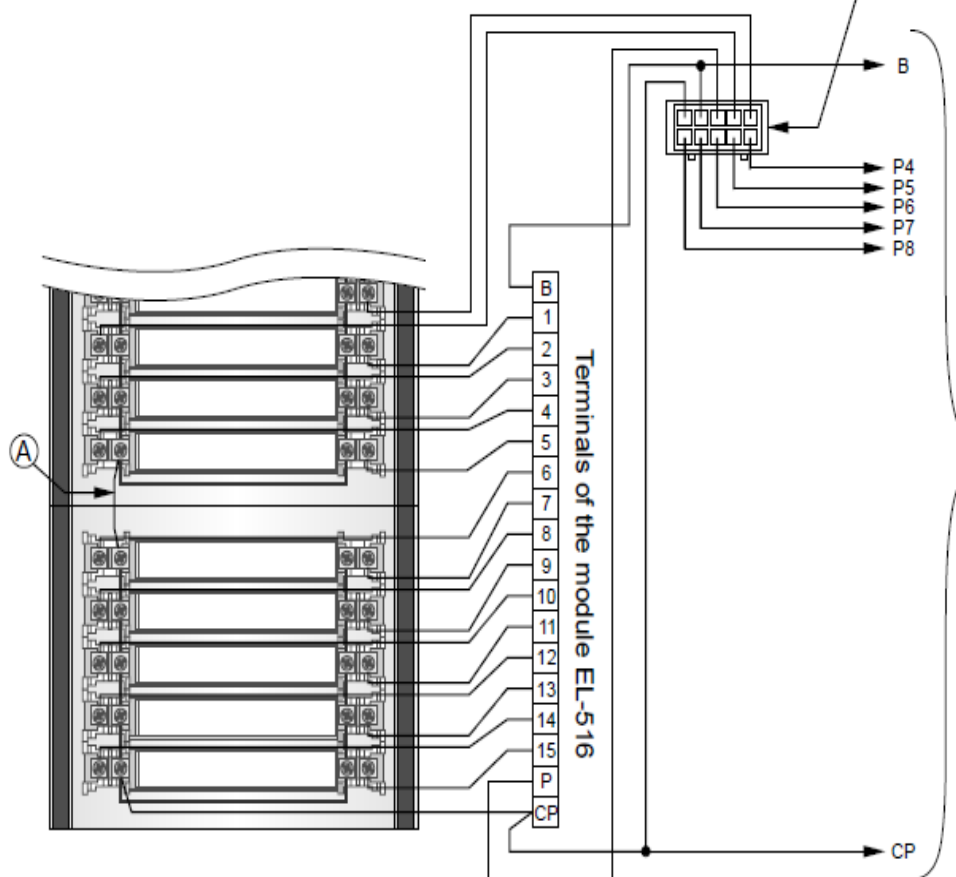
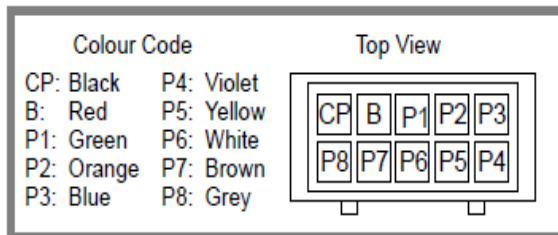
## Sistema 2Plus



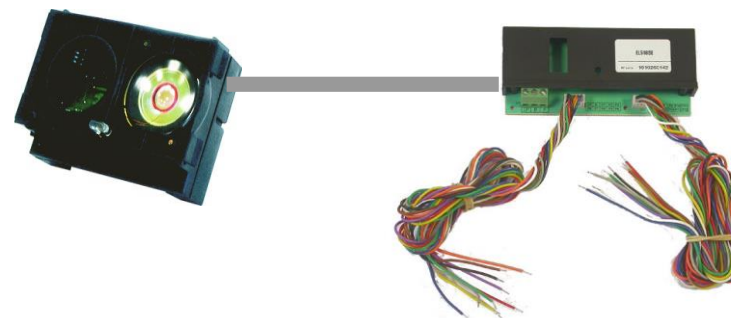
Bus Relay: One relay per apartment code.

## Type 1: Small installations. EL520 and EL516

In case of more than one access, wire all the push buttons and modules EL-516 following the same order in all the door panels.



Towards other encoders or push buttons

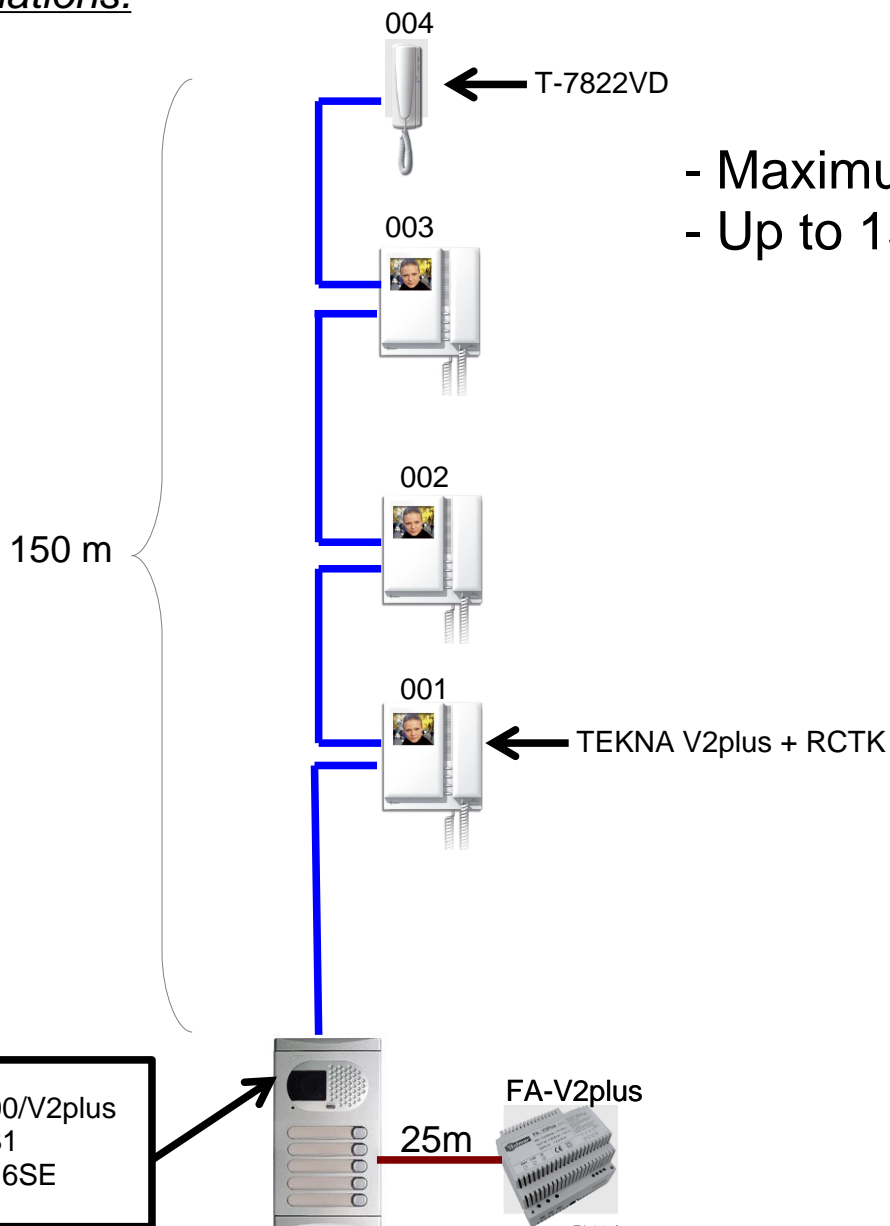


		EI516 terminals														
		1	2	3	4	5	6	7	8	9	10	11	12	13	14	15
EI520 terminals	P1	1	2	3	4	5	6	7	8	9	10	11	12	13	14	15
	P2	16	17	18	19	20	21	22	23	24	25	26	27	28	29	30
	P3	31	32	33	34	35	36	37	38	39	40	41	42	43	44	45
	P4	46	47	48	49	50	51	52	53	54	55	56	57	58	59	60
	P5	61	62	63	64	65	66	67	68	69	70	71	72	73	74	75
	P6	76	77	78	79	80	81	82	83	84	85	86	87	88	89	90
	P7	91	92	93	94	95	96	97	98	99	100	101	102	103	104	105
	P8	106	107	108	109	110	111	112	113	114	115	116	117	118	119	120

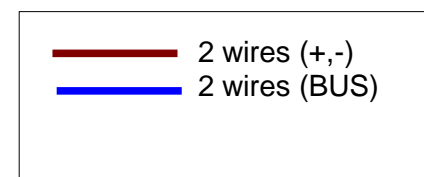
Stadio and Rock INOX panels  
CODIFICATION and PROGRAMMING

Type 1: Small installations.

150/16



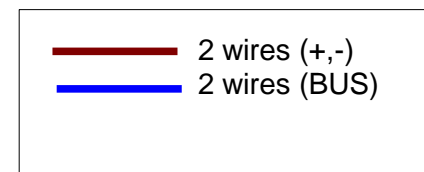
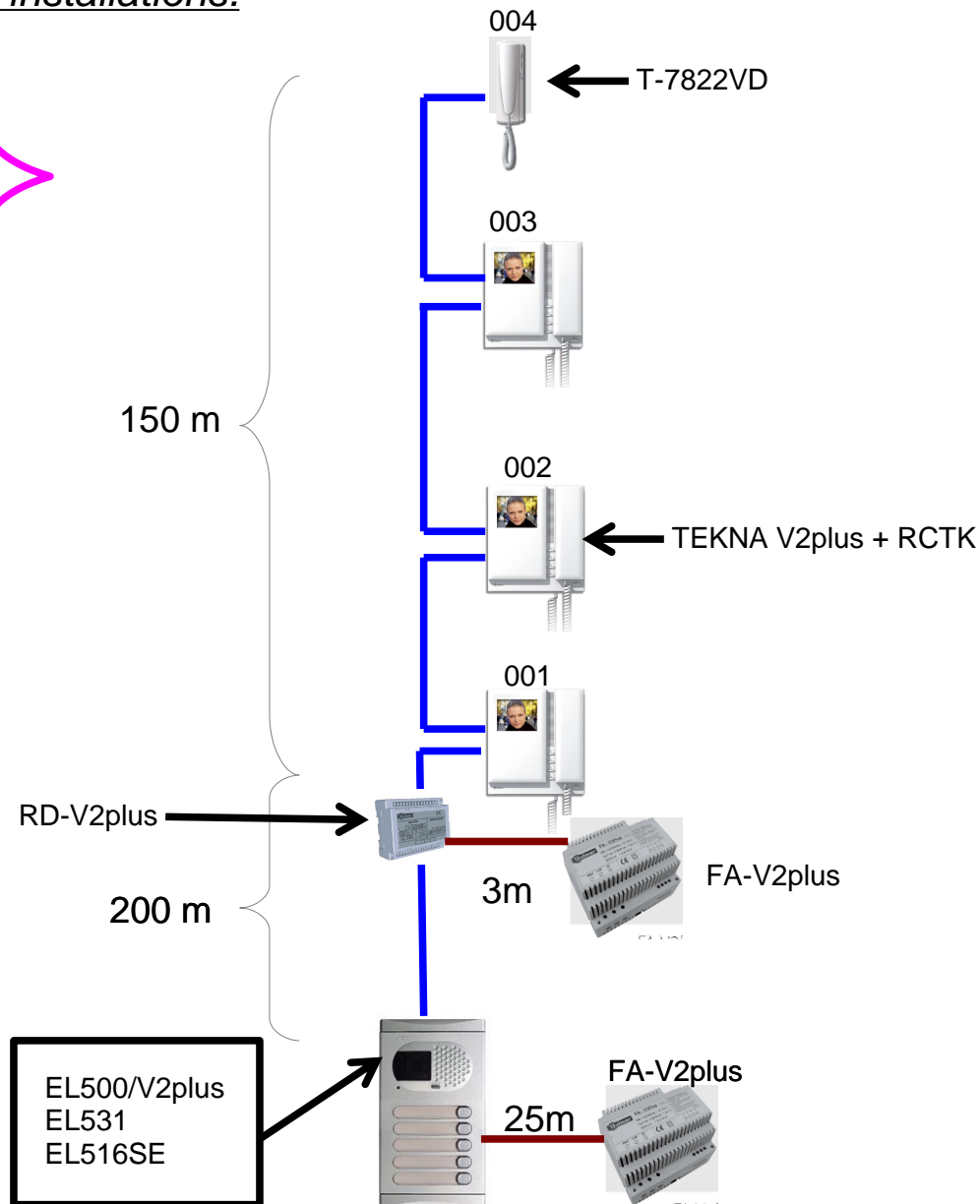
- Maximum 16 elements in daisy-chain.
- Up to 150 meters using RAP-2150.





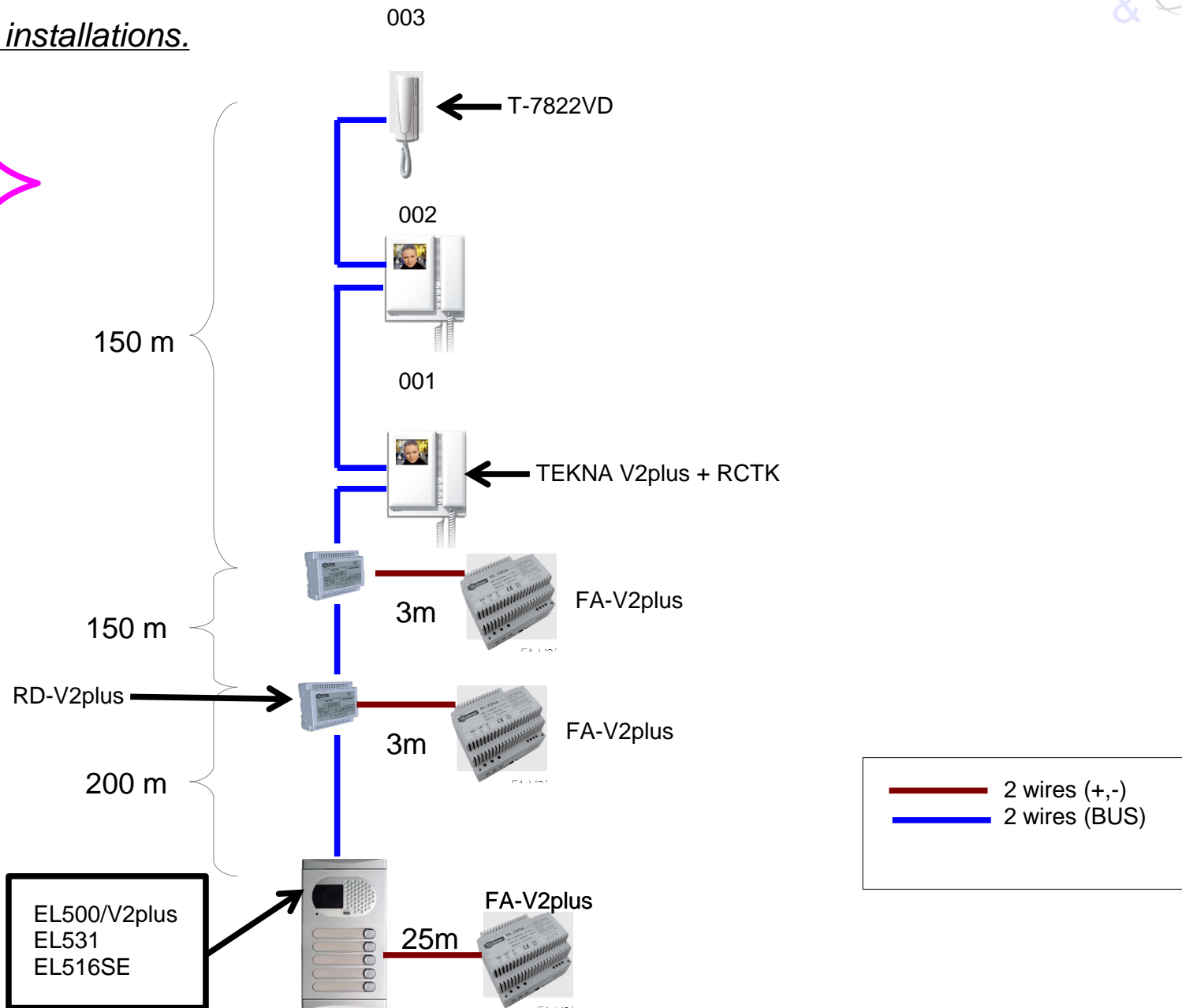
Type 1: Small installations.

350/32



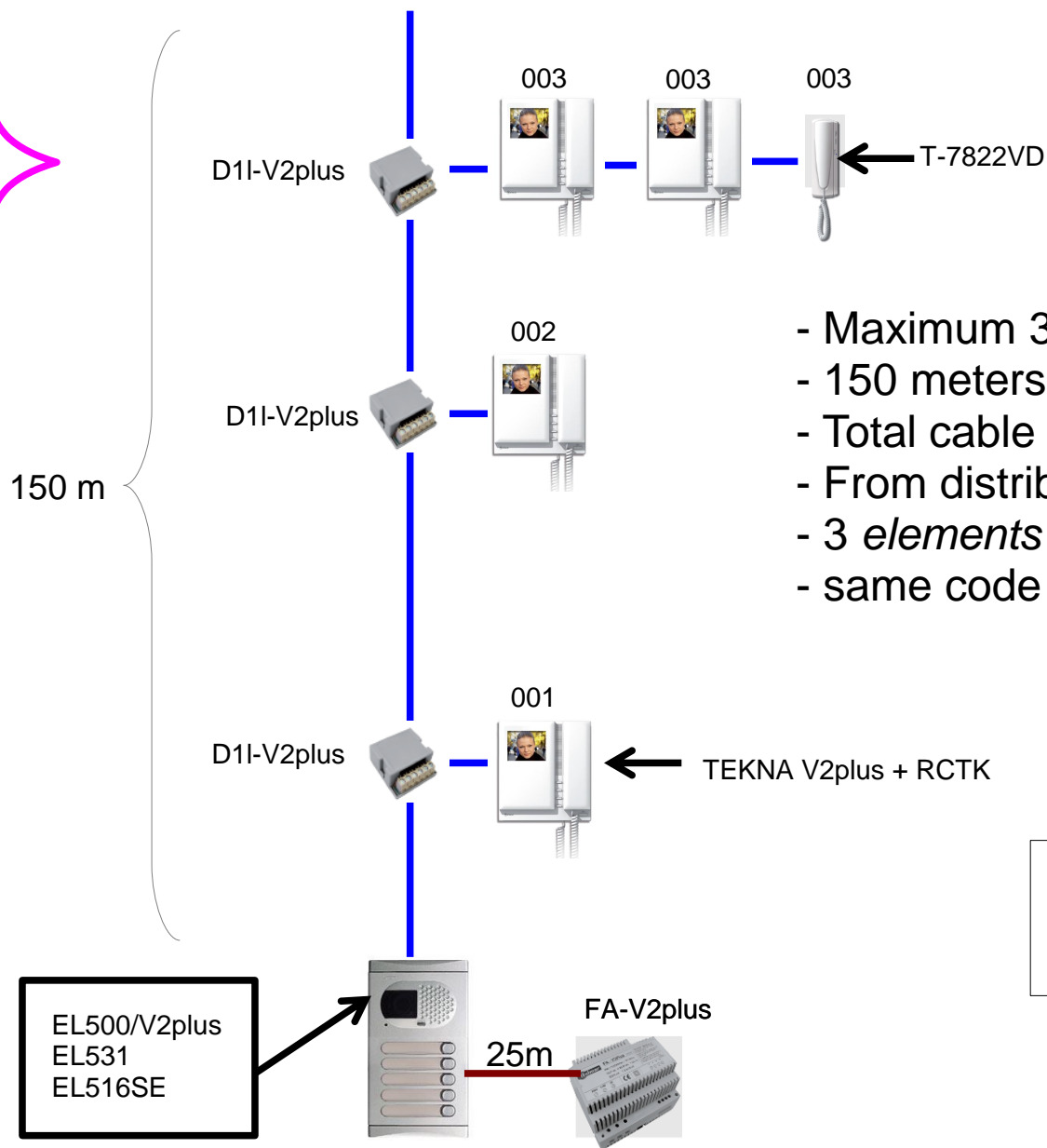
Type 1: Small installations.

500/16

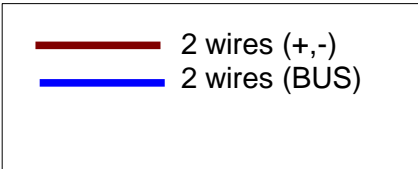


Type 1: Small installations.

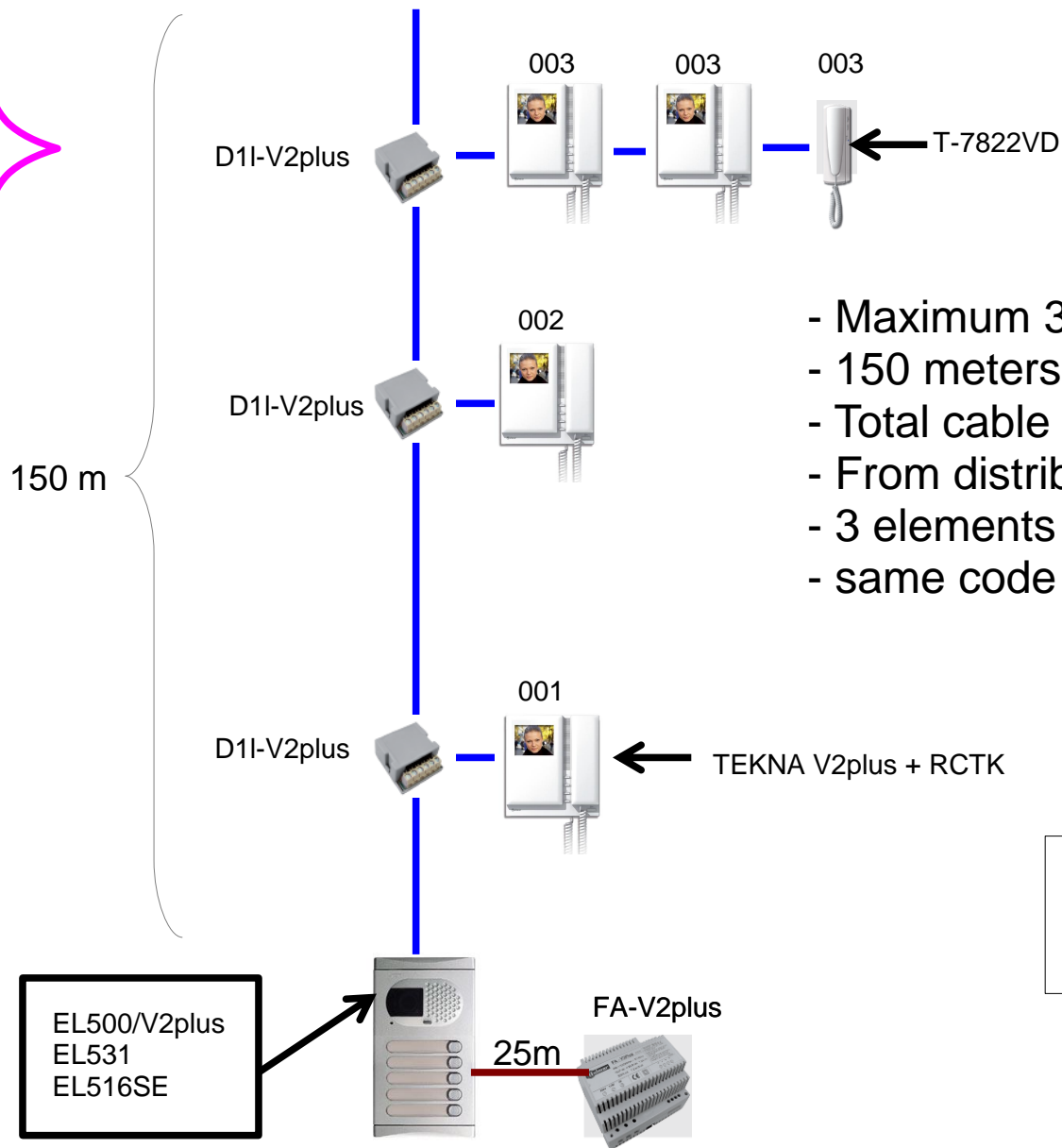
150/32



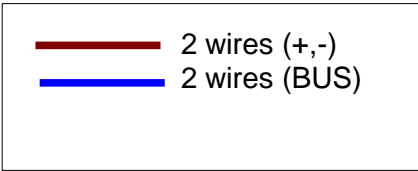
- Maximum 32 *elements* using distributors.
- 150 meters cable length maximum
- Total cable 450 meters
- From distribution to last monitor 15 m
- 3 *elements* per apartment max.
- same code inside each apartment.



150/32

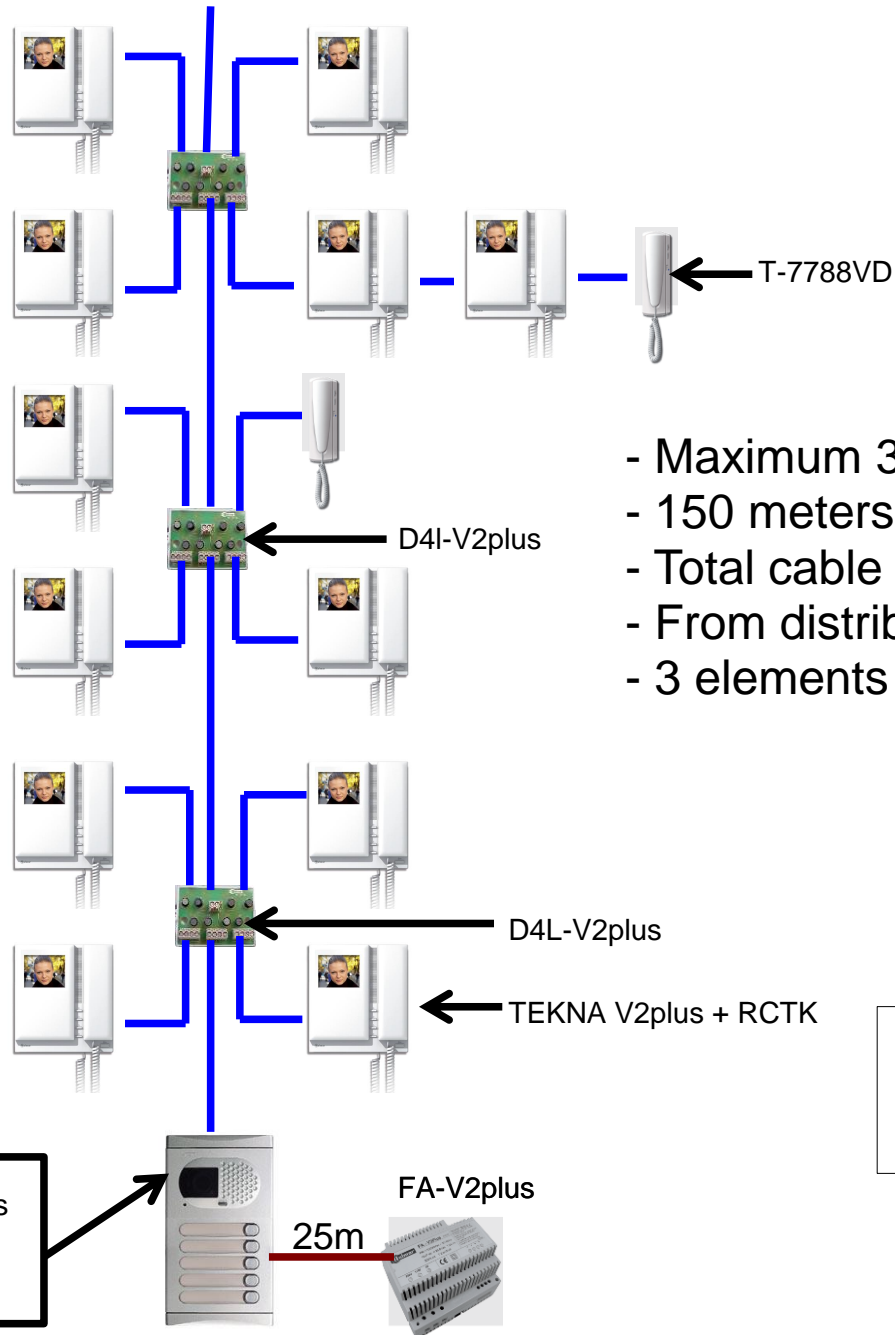


- Maximum 32 elements using distributors.
- 150 meters cable length maximum
- Total cable 450 meters
- From distribution to last monitor 15 m
- 3 elements per apartment max.
- same code inside each apartment.

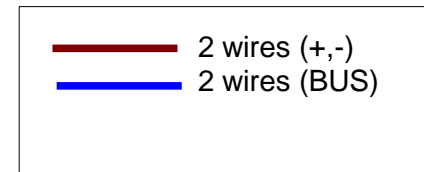


150/32

150 m



- Maximum 32 elements.
- 150 meters cable length maximum
- Total cable 450 meters
- From distribution to last monitor 15 m
- 3 elements per apartment max.





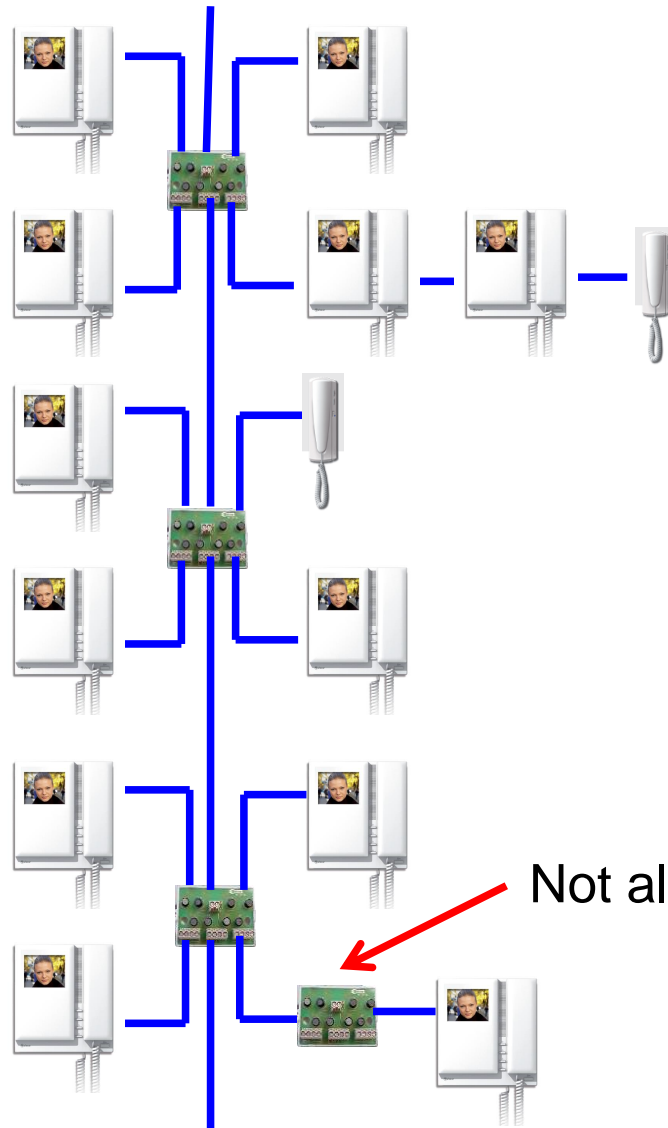
Type 1: Small installations.

# Schemas Type I



150/32

150 m

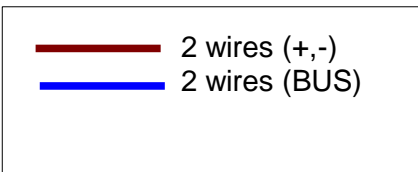


Not allowed sub-distributions

EL500/V2plus  
EL531  
EL516SE

FA-V2plus

25m



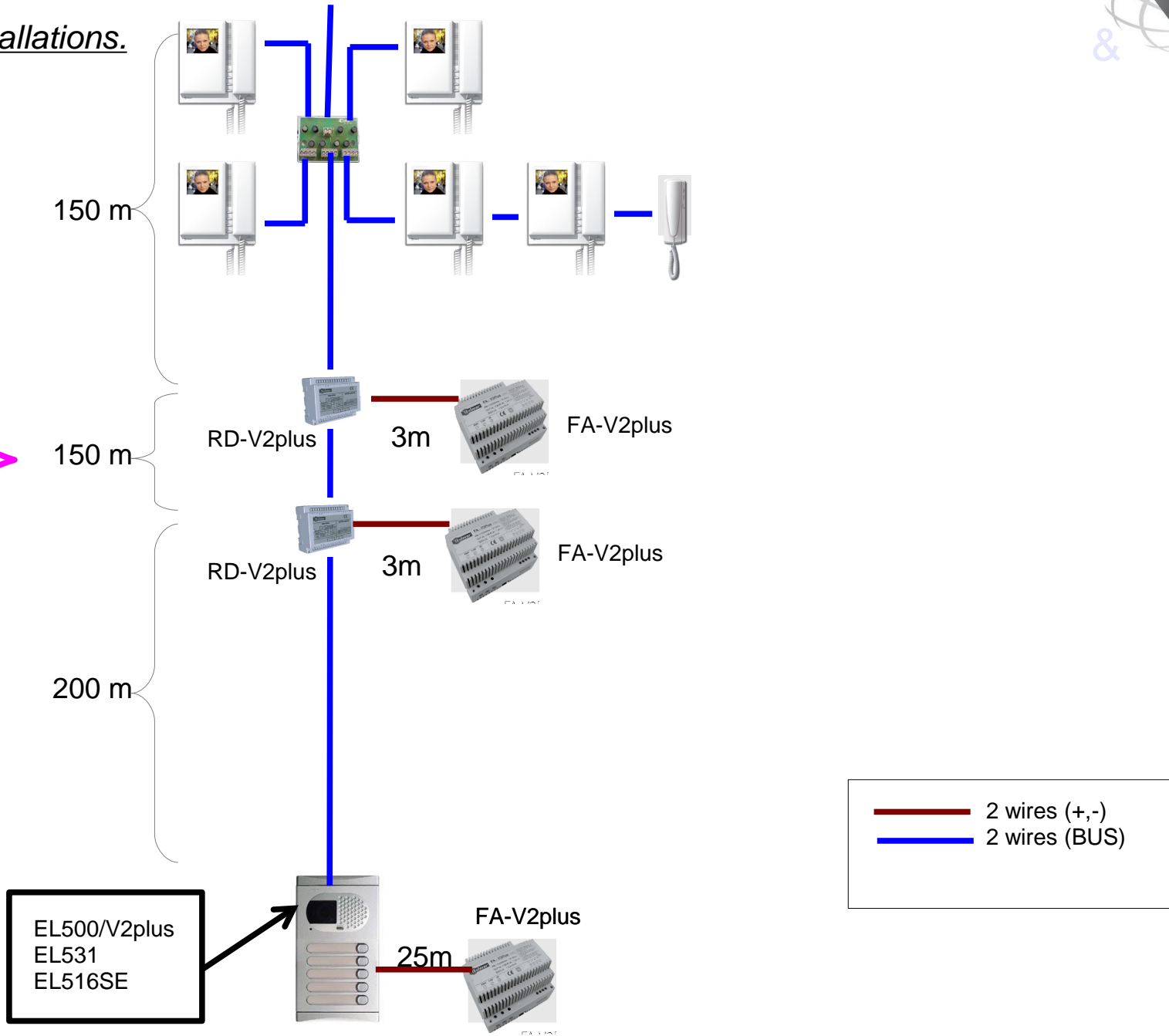


# Schemas Type I



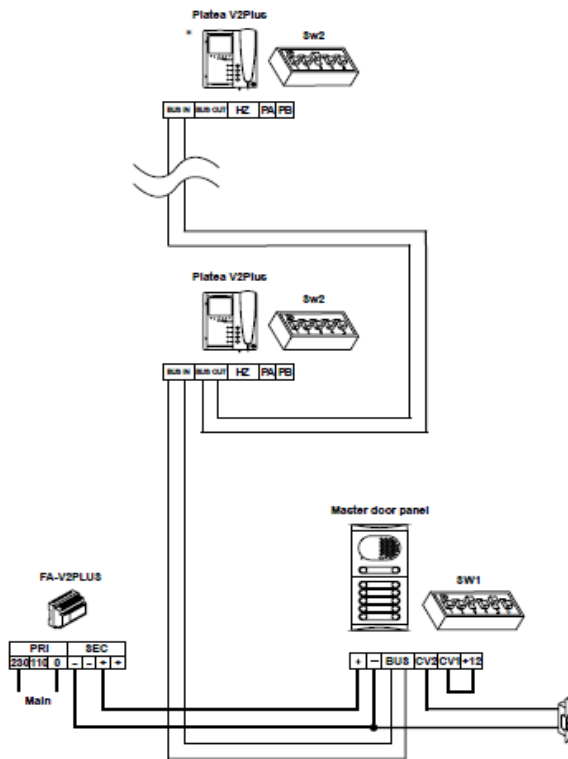
Type 1: Small installations.

500/32



## Daisy-Chain

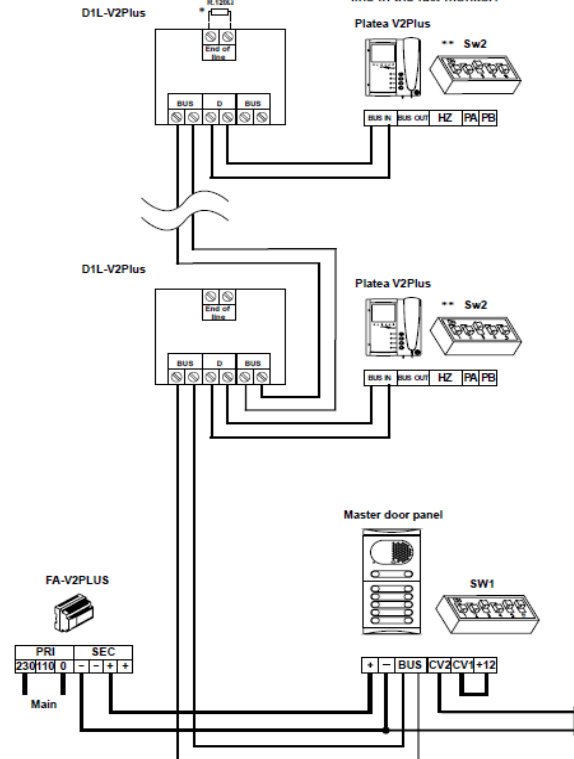
\* Configuring the end of line in the last monitor.



## D1L-V2plus

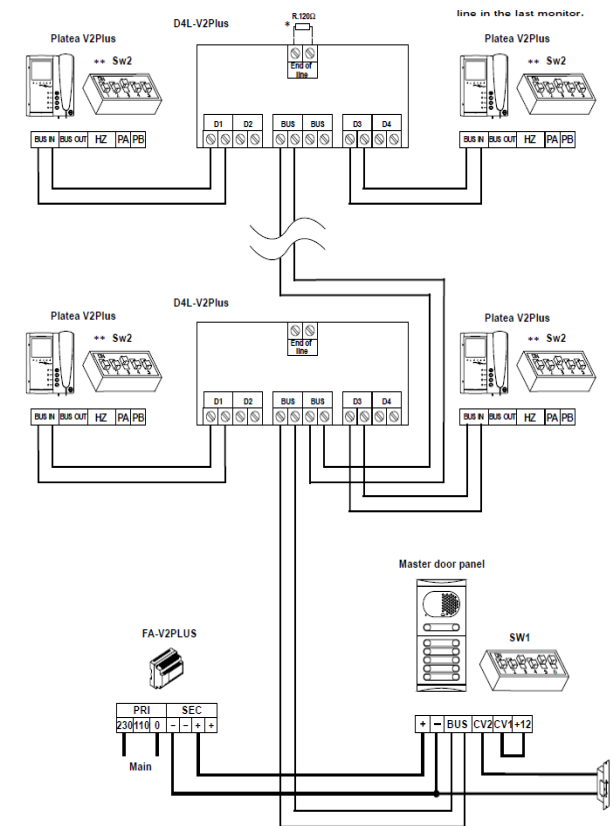
\* Insert a 120 ohm end of line resistor in the last distributor.

\*\* Configuring the end of line in the last monitor.



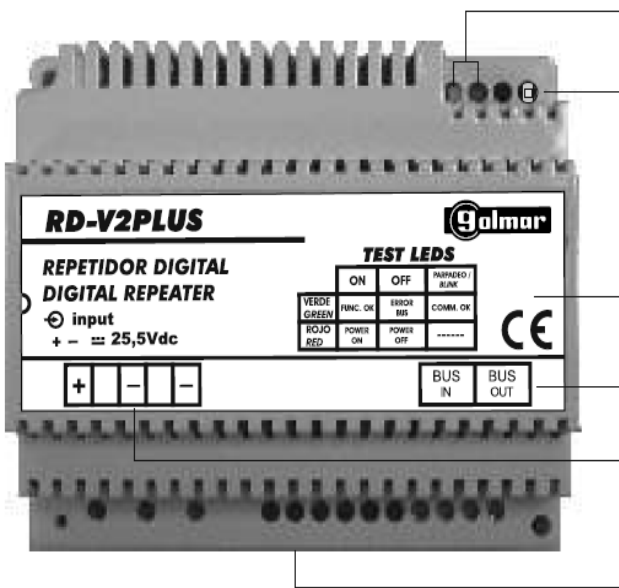
## D4I-V2plus

line in the last monitor.

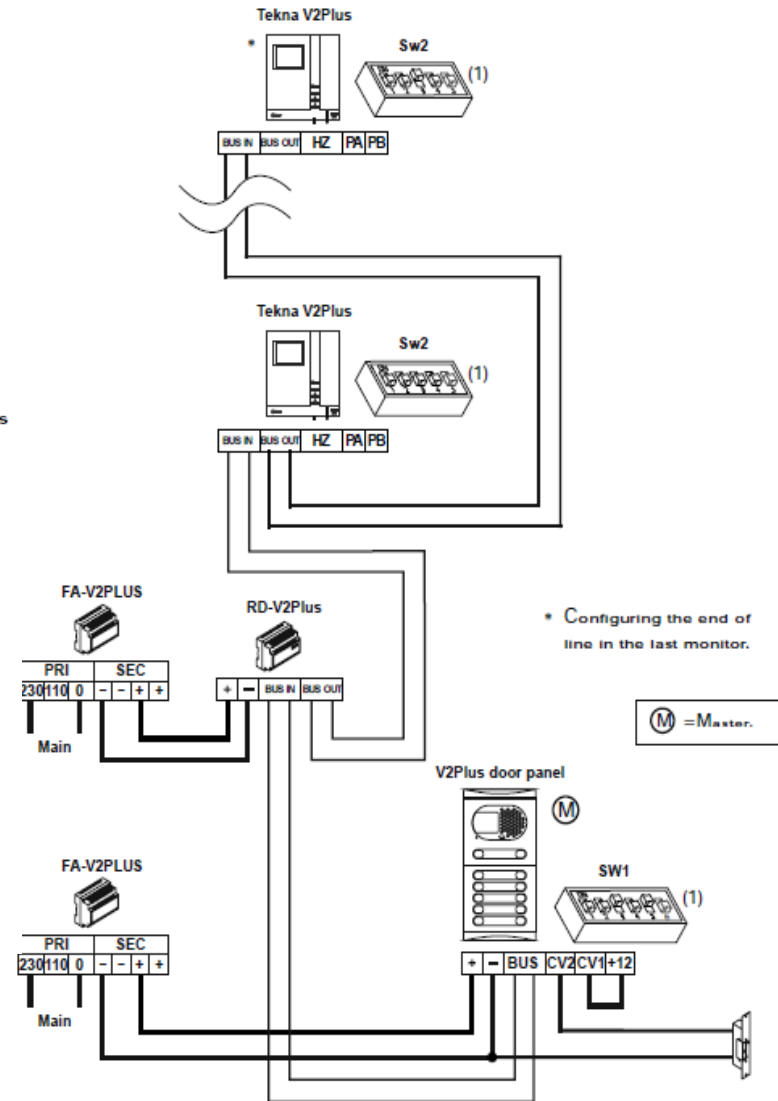




## RD-V2plus

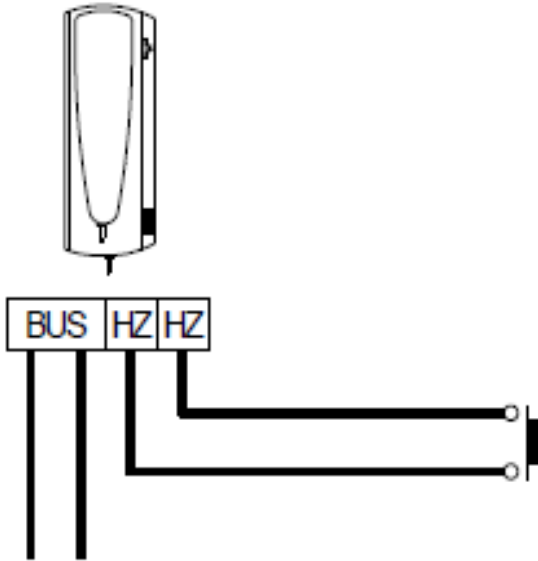


- Autodiagnostic LEDs.
- Reset button 'P1', for short-circuit Bus (riser where repeater is connected).
- Label.
- Bus connection block.
- Power supply input (with FA-V2Plus power supply).
- DIN rail latch release.

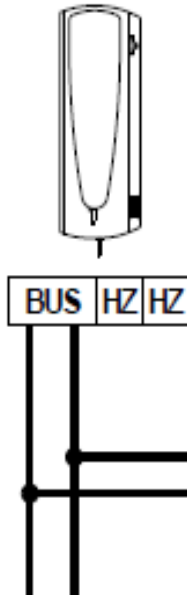


Type 1: Small installations.

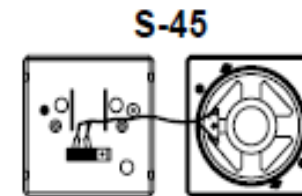
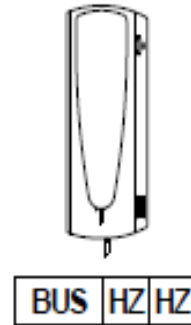
T-7720, T7722VD  
T-7822VD



T-7720, T-7722VD  
or T-7822VD



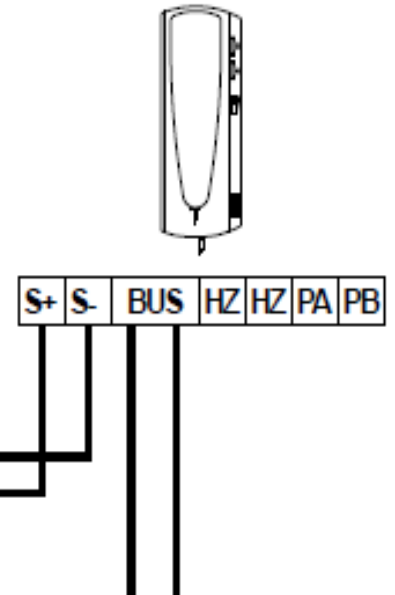
T-7720, T-7722VD  
or T-7822VD



S+ S-



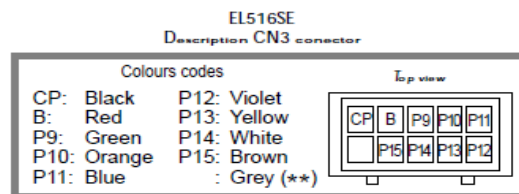
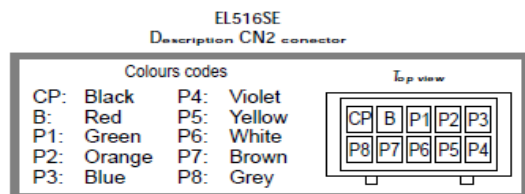
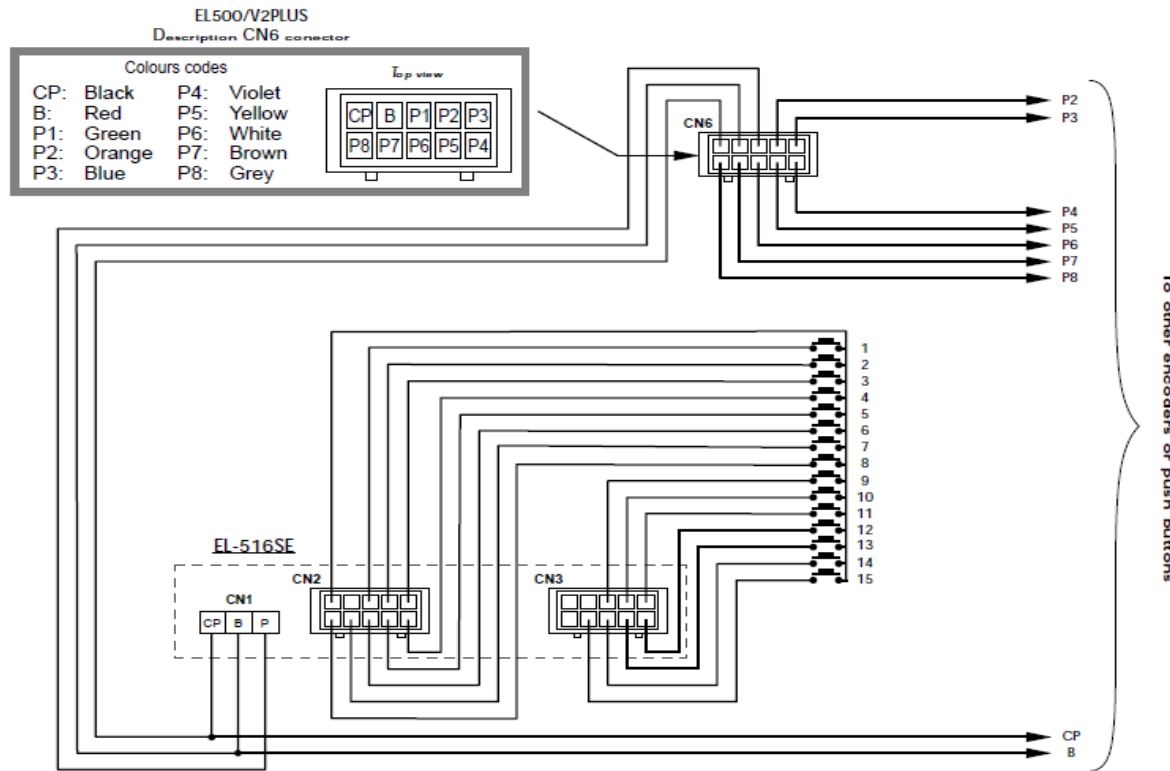
T-7722VD or T-7822VD



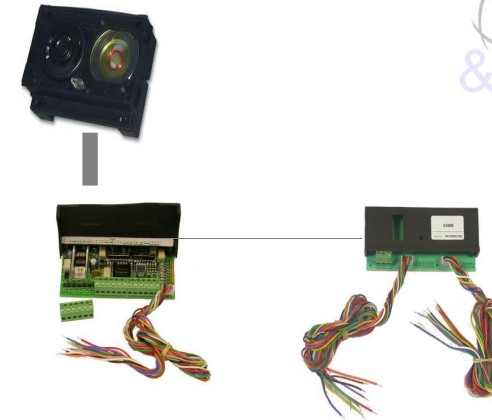
Example of connection of:

- HZ, door bell switch.
- Parallel unit.
- Call repeater

# EL500/V2Plus + EL531 + EL516SE



(\*\*) No connection



**EL516SE circuit terminals**

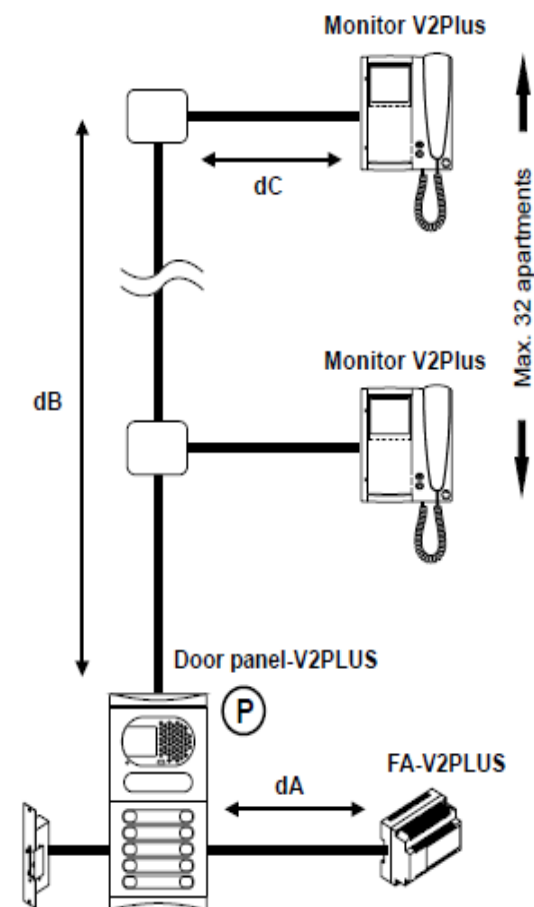
	1	2	3	4	5	6	7	8	9	10	11	12	13	14	15	
EL500/V2PLUS circuit terminals	P1	1	2	3	4	5	6	7	8	9	10	11	12	13	14	15
P2	16	17	18	19	20	21	22	23	24	25	26	27	28	29	30	
P3	31	32	33	34	35	36	37	38	39	40	41	42	43	44	45	
P4	46	47	48	49	50	51	52	53	54	55	56	57	58	59	60	
P5	61	62	63	64	65	66	67	68	69	70	71	72	73	74	75	
P6	76	77	78	79	80	81	82	83	84	85	86	87	88	89	90	
P7	91	92	93	94	95	96	97	98	99	100	101	102	103	104	105	
P8	106	107	108	109	110	111	112	113	114	115	116	117	118	119	120	

Stadio & Rock INOX  
Codification and Programming

Type 1: Small installations.

Tested distances

Cables and sections	dA	dB+dC	dC
0,25mm <sup>2</sup> (twisted).	10m.	40m.	15m.
0,5mm <sup>2</sup> (twisted).	20m.	70m.	15m.
1mm <sup>2</sup> (twisted).	40m.	100m.	15m.
1,5mm <sup>2</sup> (twisted).	50m.	100m.	15m.
0,18mm <sup>2</sup> (multipaired).	5m.	25m.	15m.
0,18x2 = 0,36mm <sup>2</sup> (multipaired).	10m.	50m.	15m.
0,18x4 = 0,72mm <sup>2</sup> (multipaired).	25m.	100m.	15m.
*Rap-2150 1mm <sup>2</sup> (twisted).	40m.	150m.	15m.
1 par UTP Cat 5 0,18mm <sup>2</sup> .	5m.	25m.	15m.
2 par UTP Cat 5 0,18x2 = 0,36mm <sup>2</sup> .	10m.	50m.	15m.
4 par UTP Cat 5 0,18x4 = 0,72mm <sup>2</sup> .	25m.	100m.	15m.




Type 1: small installations.




T-7822VD: 

S-	S+	BUS	HZ	HZ	PA	PB	BUS	E.of.Line
----	----	-----	----	----	----	----	-----	-----------

JP3 configuration jumper:

\*JP3  V2Plus system (video)

JP3  2Plus system (Audio)

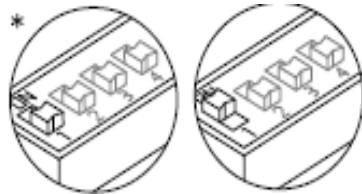
\*Factory default

S+, S-: Connection to an S-45 call repeater.  
 BUS: Digital communication bus.  
 HZ : Door bell push button input.  
 PA, PB: Voltage free contacts (see page 108).  
 BUS: Digital communication bus.  
 End of Line: End of line resistor.

Call to concierge.  
 Volume adjustment and mute function  
 Relay BUS- SAR 2Plus

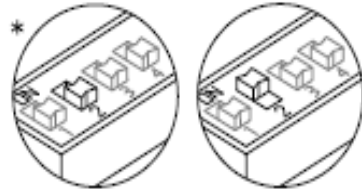


- Bus In: Digital communication bus input to monitor.  
 - Bus Out: Digital communication bus output to additional monitor/telephone.  
 - HZ: Door bell push button connection.  
 - PA, PB: Voltage free contacts.

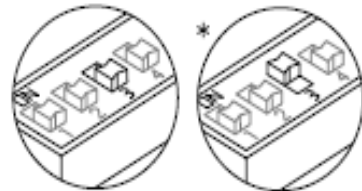


on the rear of the monitor.

No function.

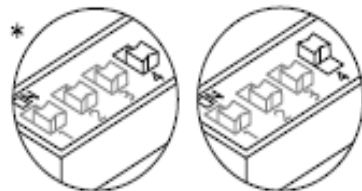


No function.

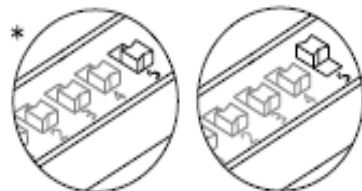


Set to ON to configure with the end of line resistor in monitors where bus wires terminate.

Set to OFF only for intermediate monitors.



No function.



Set to On the monitors:

That distance is more than 65 m. from door panel or multiplexer.  
Connected from output No. 20 of the distributors (with door panel or multiplexer).

In an installation without distributors (daisy chain) from monitor No.9 or at a distance of more than 80m. from door panel or multiplexer.

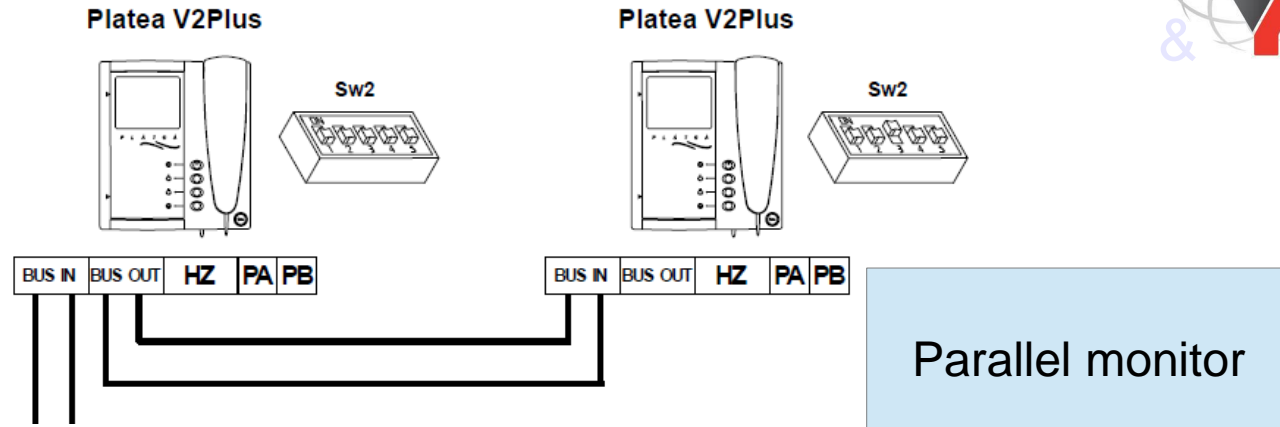
\* Factory default

Set to OFF the rest of monitors.

Monitors dip switches.

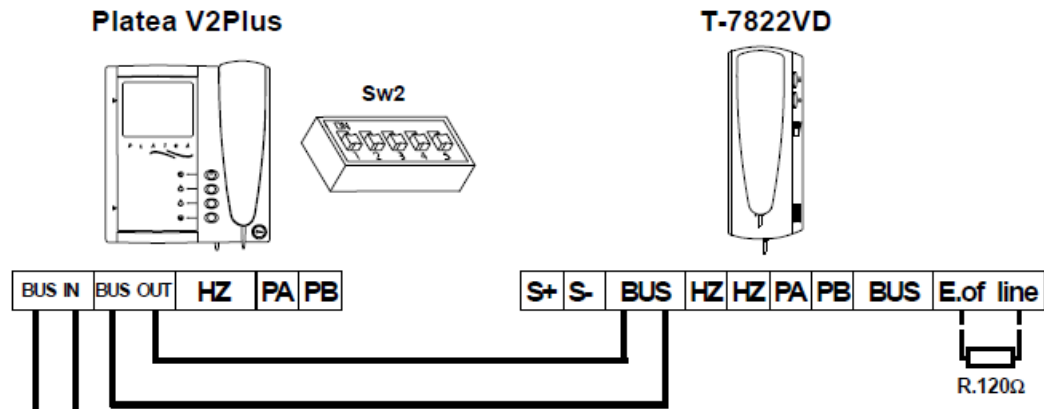
Type 1: small installations.

Additional monitor

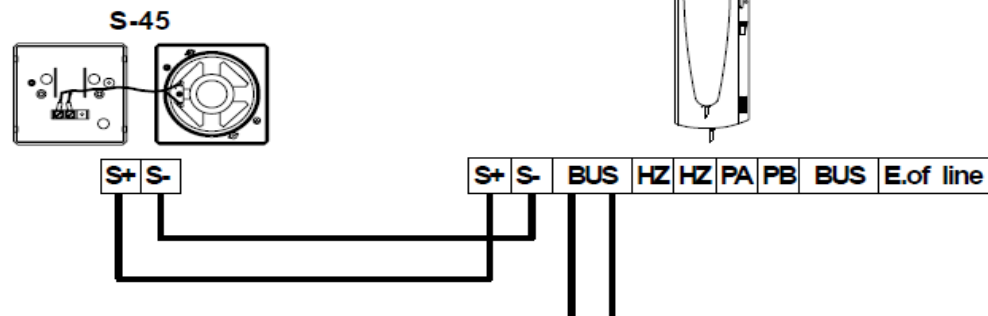


Additional telephone

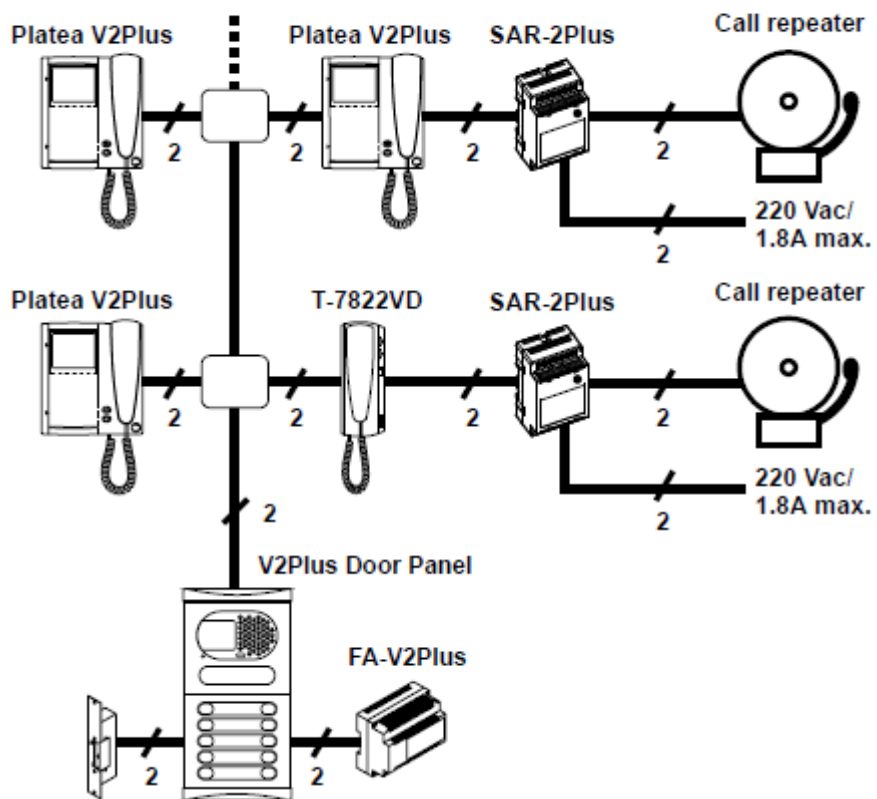
Parallel handset



Call repeater.

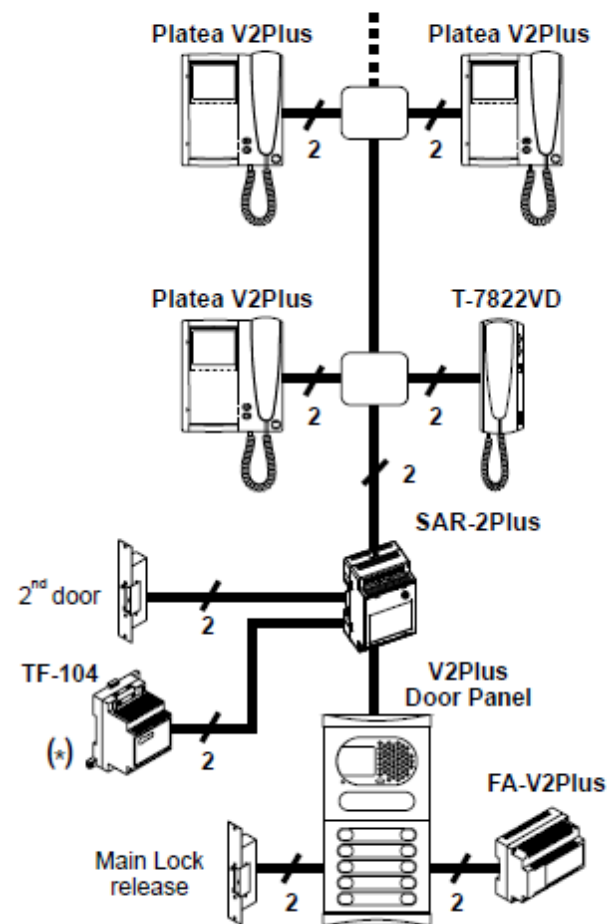


**V2Plus system**



SAR-2Plus, used as apartment relay

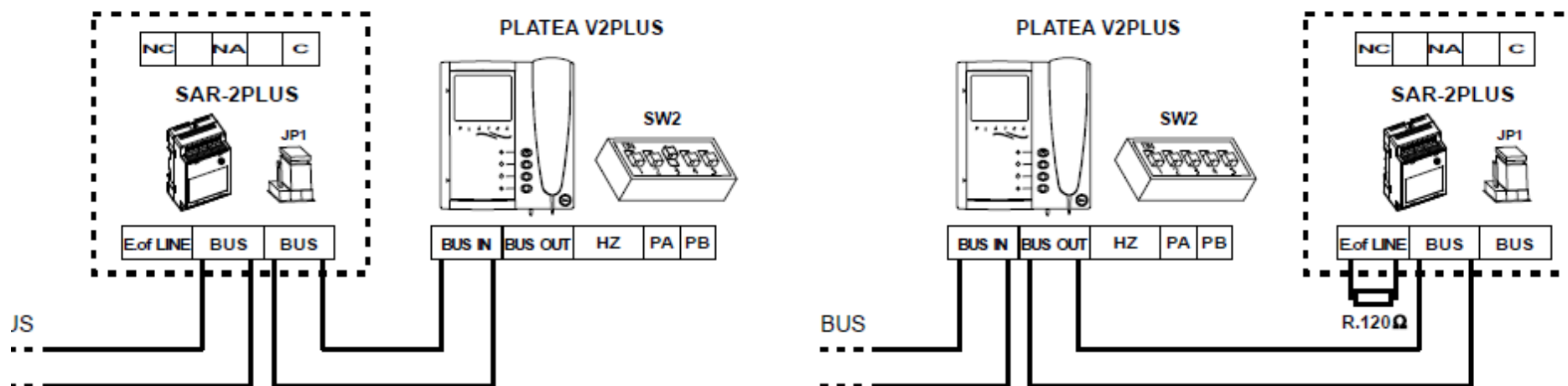
**V2Plus System**



SAR-2Plus used as 2<sup>nd</sup> lock for the BUS

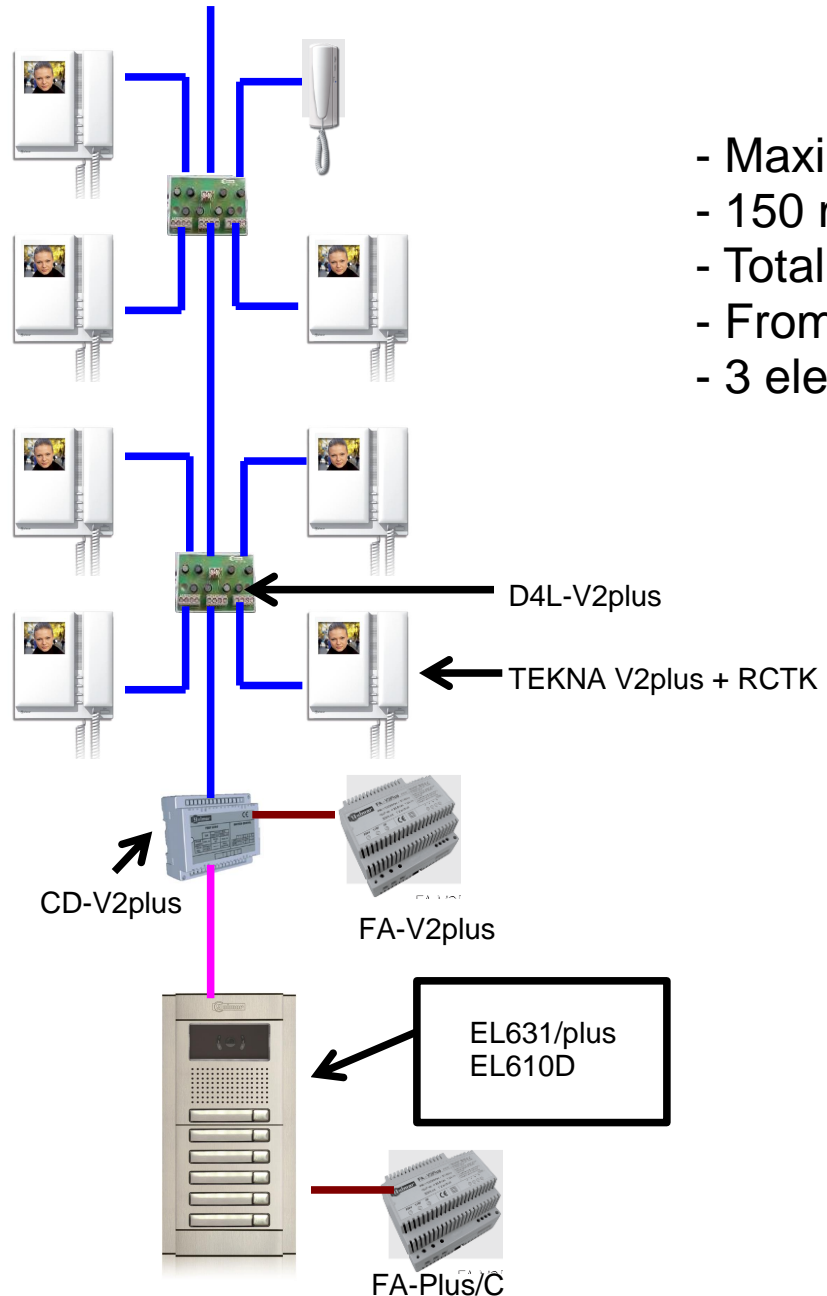


Put the 120 ohm End of line resistor in the SAR-2Plus units  
where the bus connection ends.



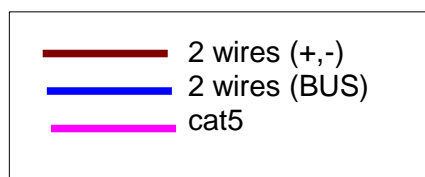
150/32

150 m



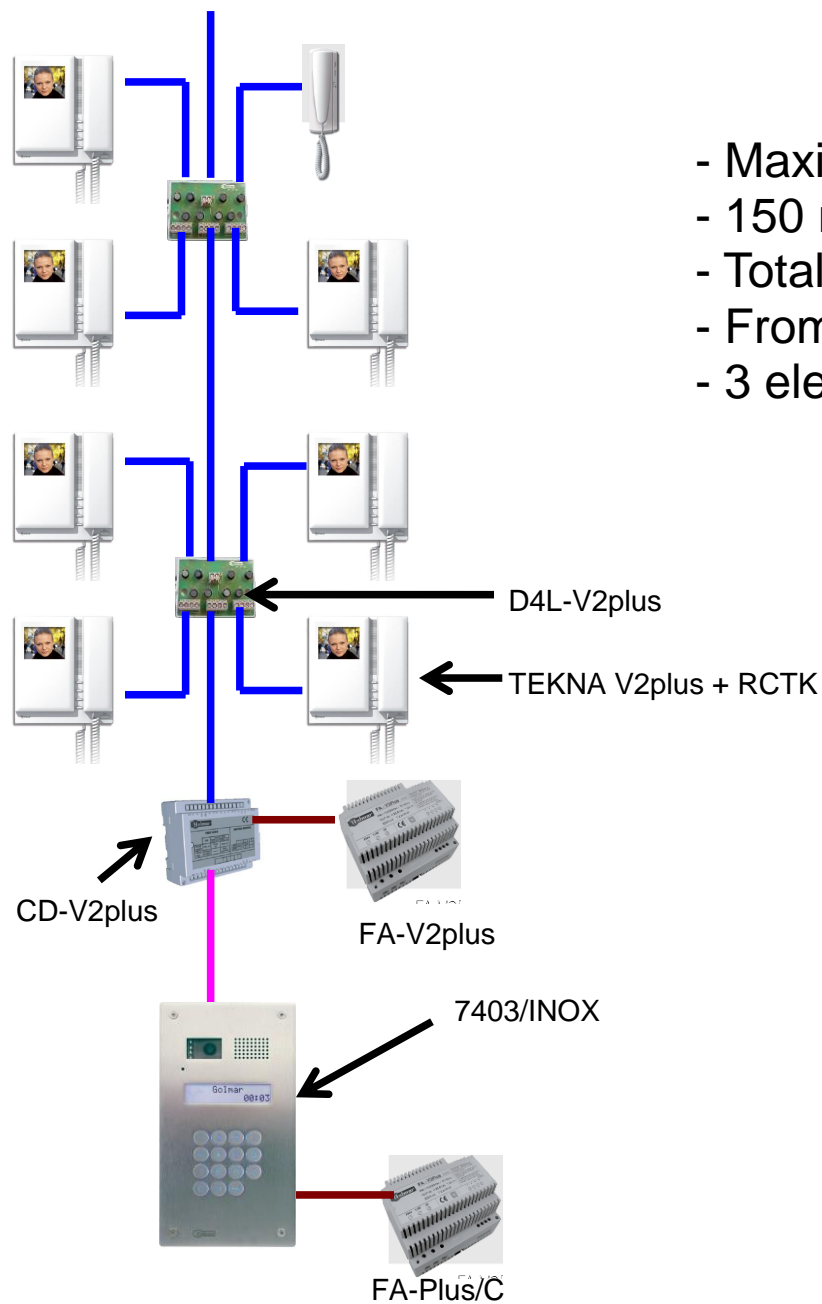
- Maximum 32 elements.
- 150 meters cable length maximum
- Total cable 450 meters
- From distribution to last monitor 15 m
- 3 elements per apartment max.

Audio: length 1000  
 Extension 2000  
 Data: Length 1000m x 3  
 Extension: 3000m x 3  
 X3 only with RD-Plus/UNO



150/32

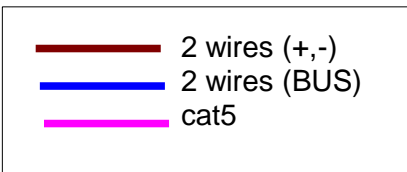
150 m



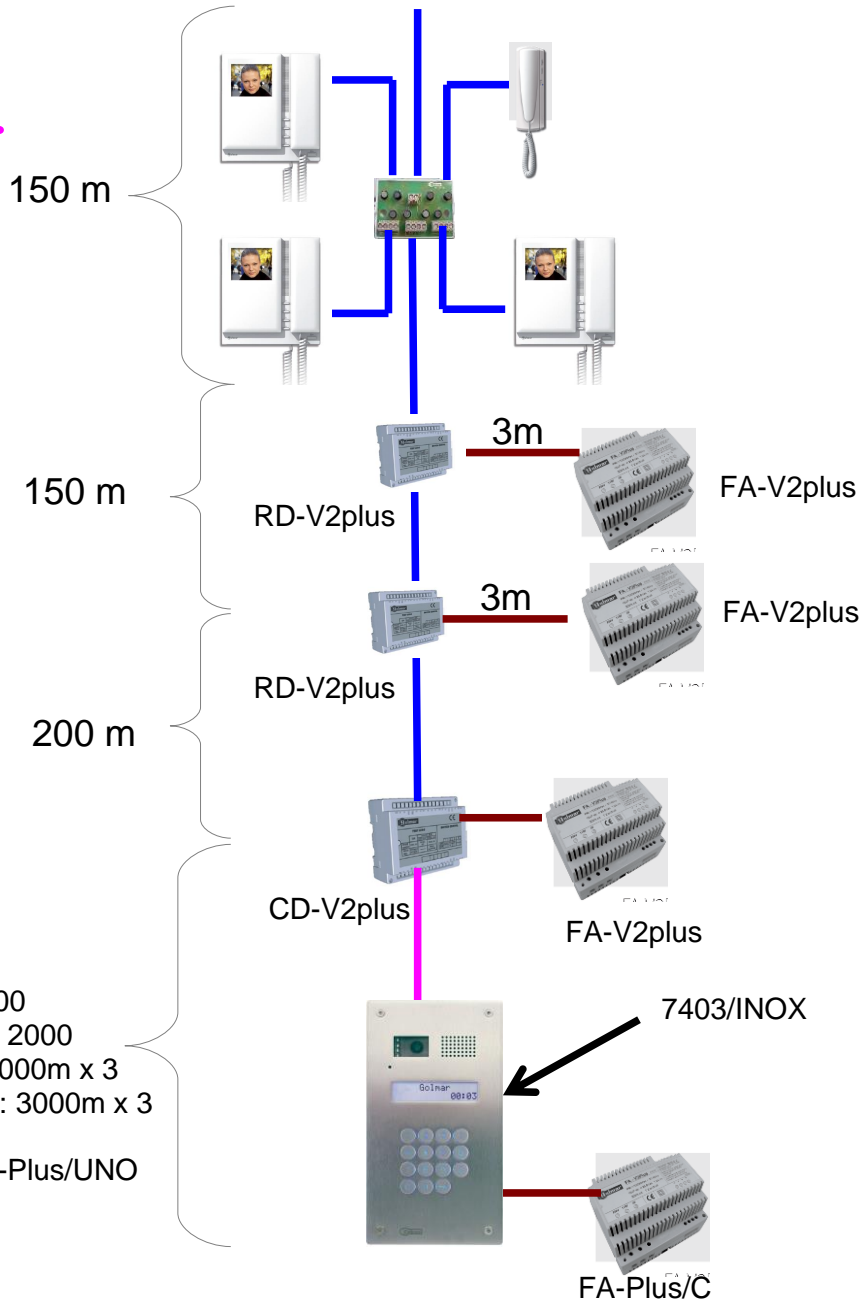
- Maximum 32 elements.
- 150 meters cable length maximum
- Total cable 400 meters
- From distribution to last monitor 15 m
- 3 elements per apartment max.

Audio: length 1000  
 Extension 2000  
 Data: Length 1000m x 3  
 Extension: 3000m x 3

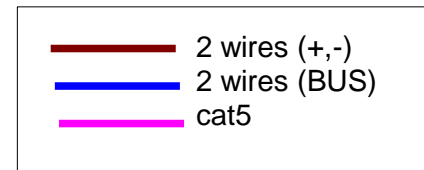
X3 only with RD-Plus/UNO



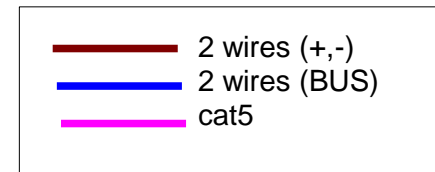
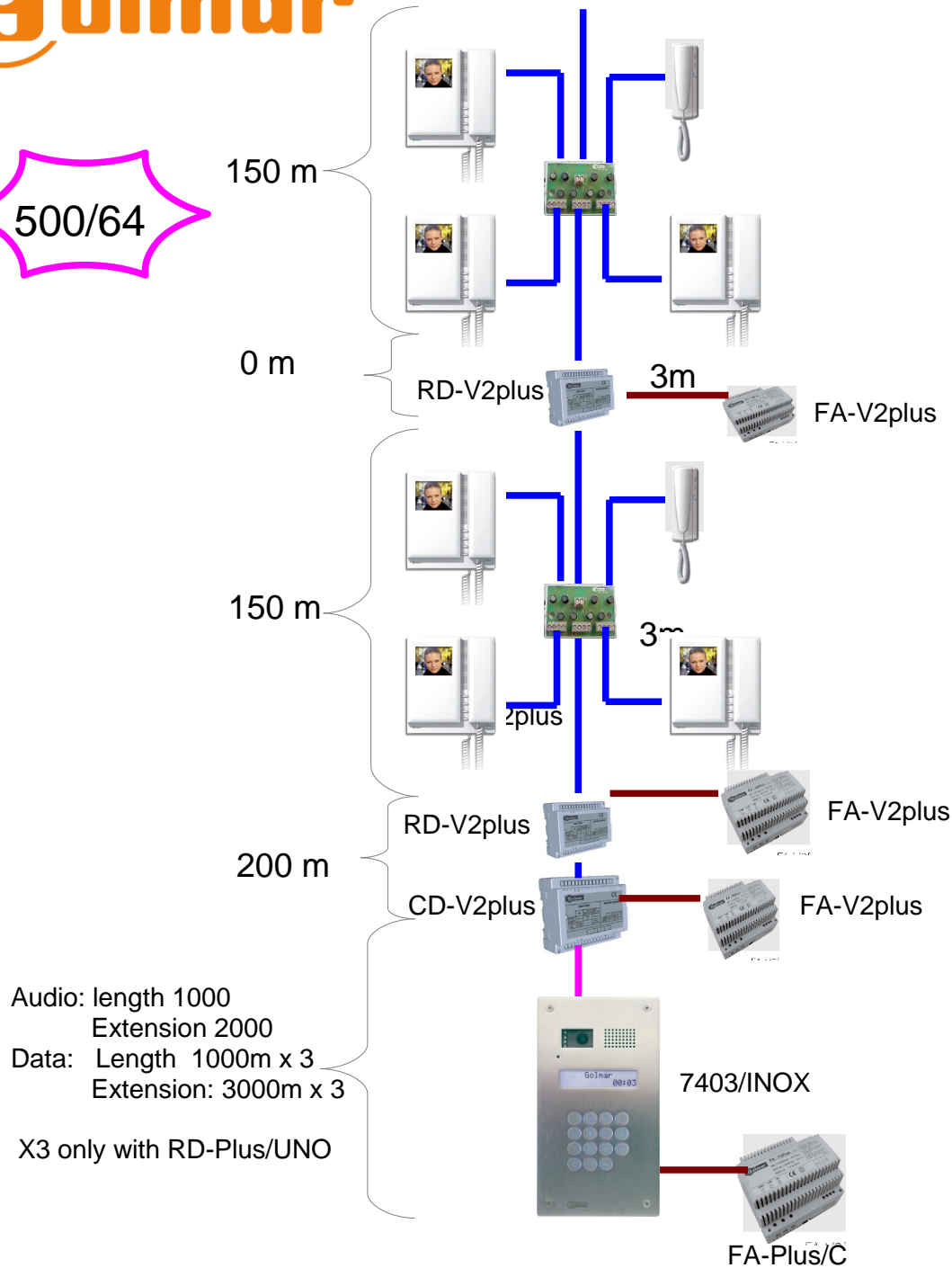
500/32



Audio: length 1000  
 Extension 2000  
 Data: Length 1000m x 3  
 Extension: 3000m x 3  
 X3 only with RD-Plus/UNO



500/64





450/96

Audio: length 1000  
Extension 2000  
Data: Length 1000m x 3  
Extension: 3000m x 3  
X3 only with RD-Plus/UNO

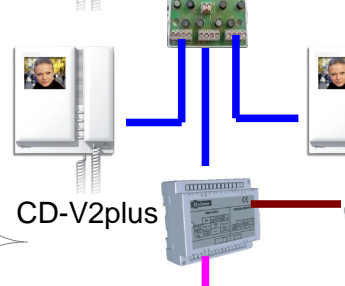
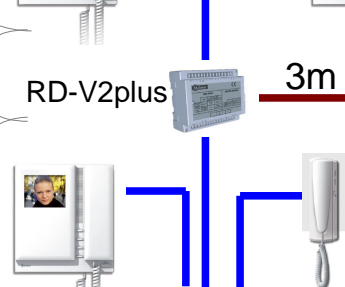
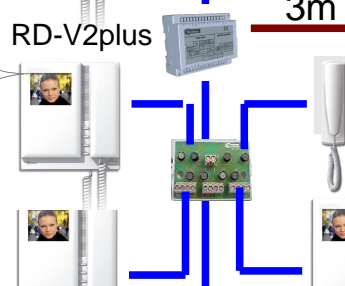
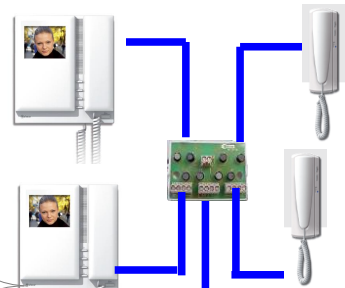
150 m

0 m

150 m

0 m

150 m



3m

3m

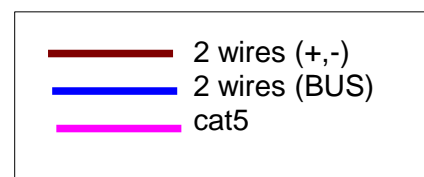
7403/INOX

FA-V2plus

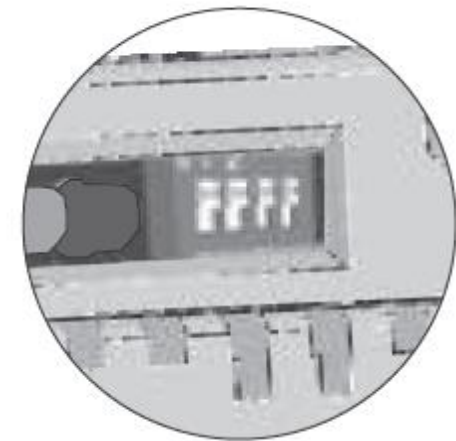
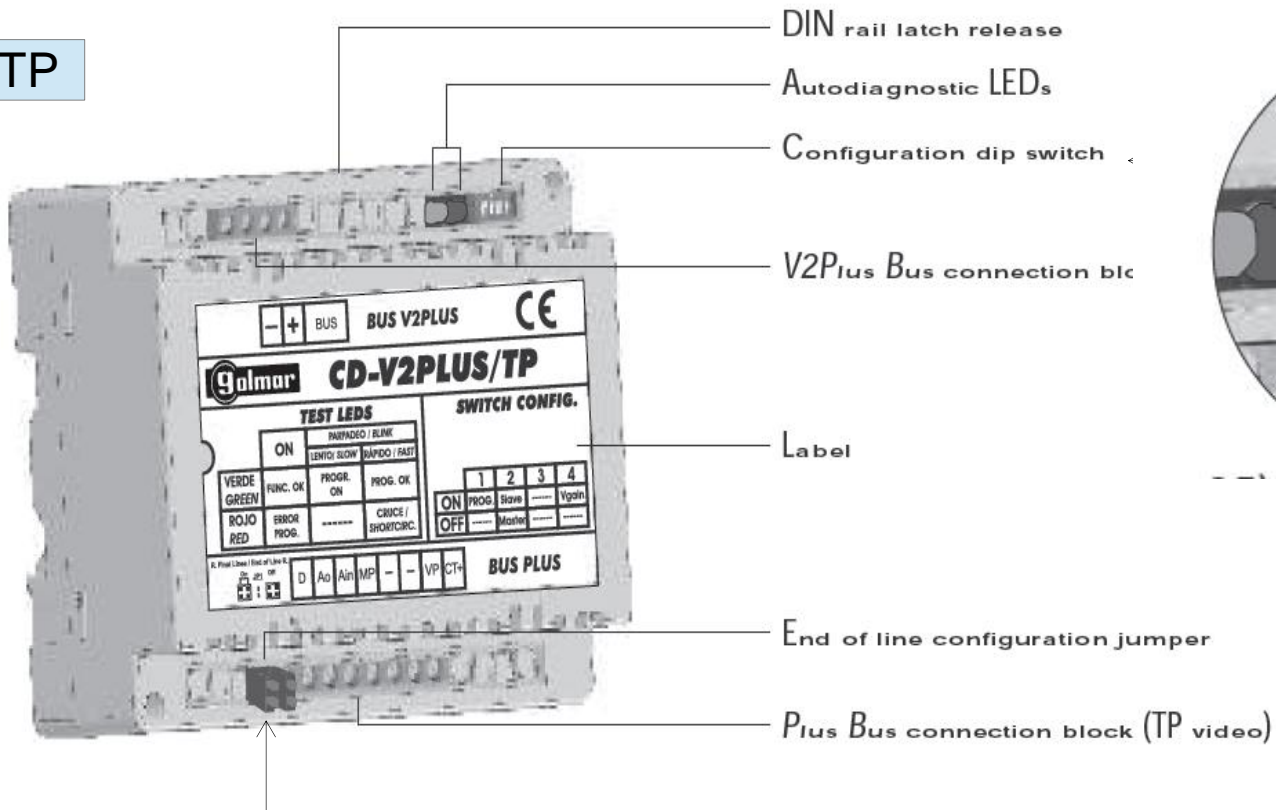
FA-V2plus

FA-V2plus

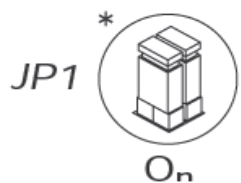
FA-Plus/C



## CD-V2Plus/TP

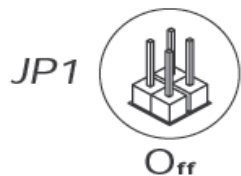


- + BUS		BUS V2PLUS		CE	
<b>Galmar CD-V2PLUS/TP</b>					
TEST LEDS			SWITCH CONFIG.		
ON	DAMPADO / BLINK				
VERDE GREEN	FUNC. OK	PROGR. ON	LENTO / SLOW	RAPIDO / FAST	
ROJO RED	ERROR PROG.	*****	CRUCE / SHORTCIRC.		
			ON	PROG. Slave	Vgain
			OFF	Master	
<small>1 2 3 4</small> 1 2 3 4 ON PROG. Slave Vgain OFF Master					
<small>1 2 3 4</small> D A0 A1n MP - - VP CT+					
BUS PLUS					



*End of line resistor.*

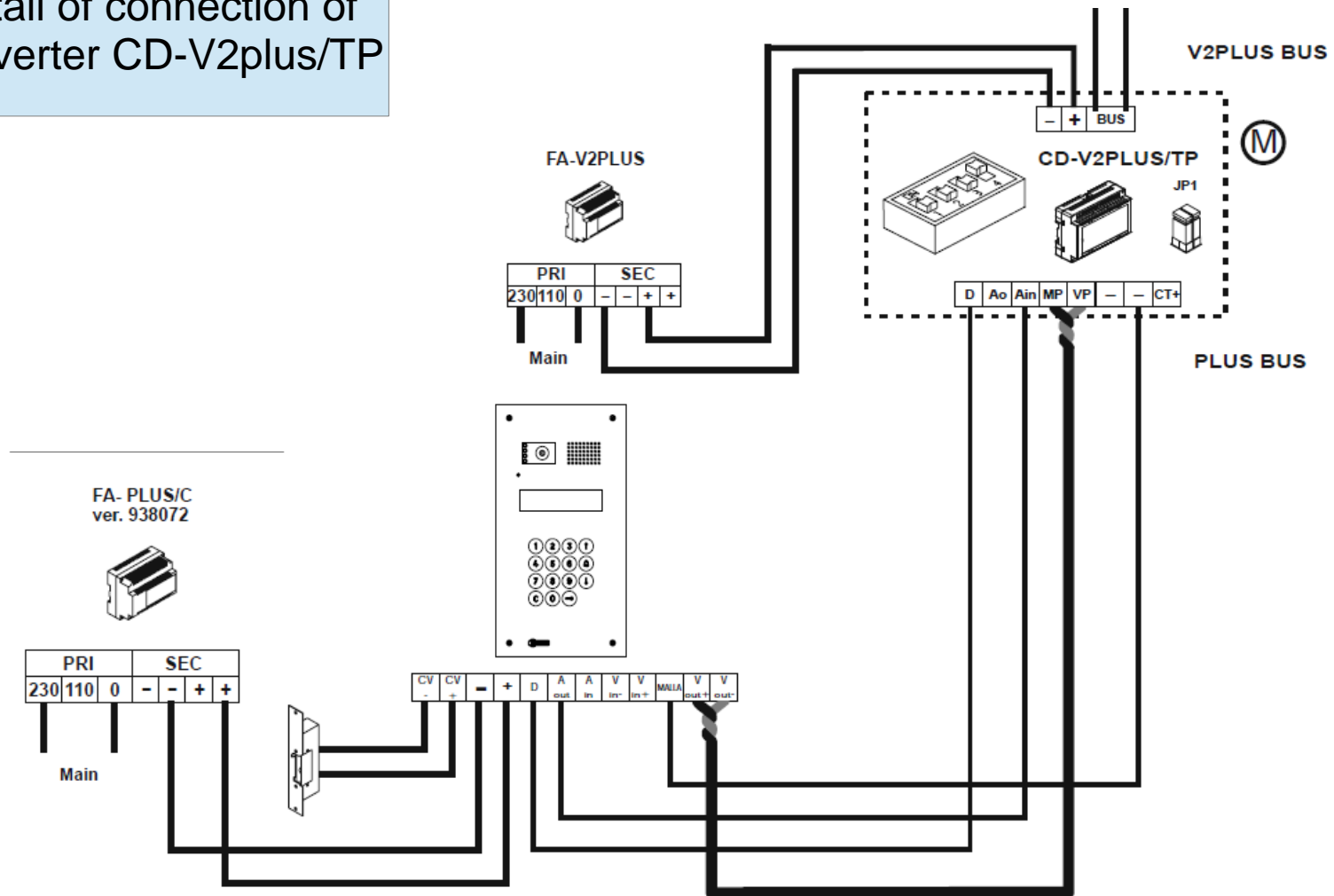
Switch to ON if the converter is connected to the Pius system through distributors or only in the last converter if the connection to the Pius system of the converters does not contain distributors (input/output mode).



*End of line resistor.*

Switch to OFF in all the converters except the last one if the connection to the Pius system of the converters does not contain distributors (input/output mode).

Detail of connection of converter CD-V2plus/TP







## TYPE II

### Type 2: Specifications



□ medium installations.

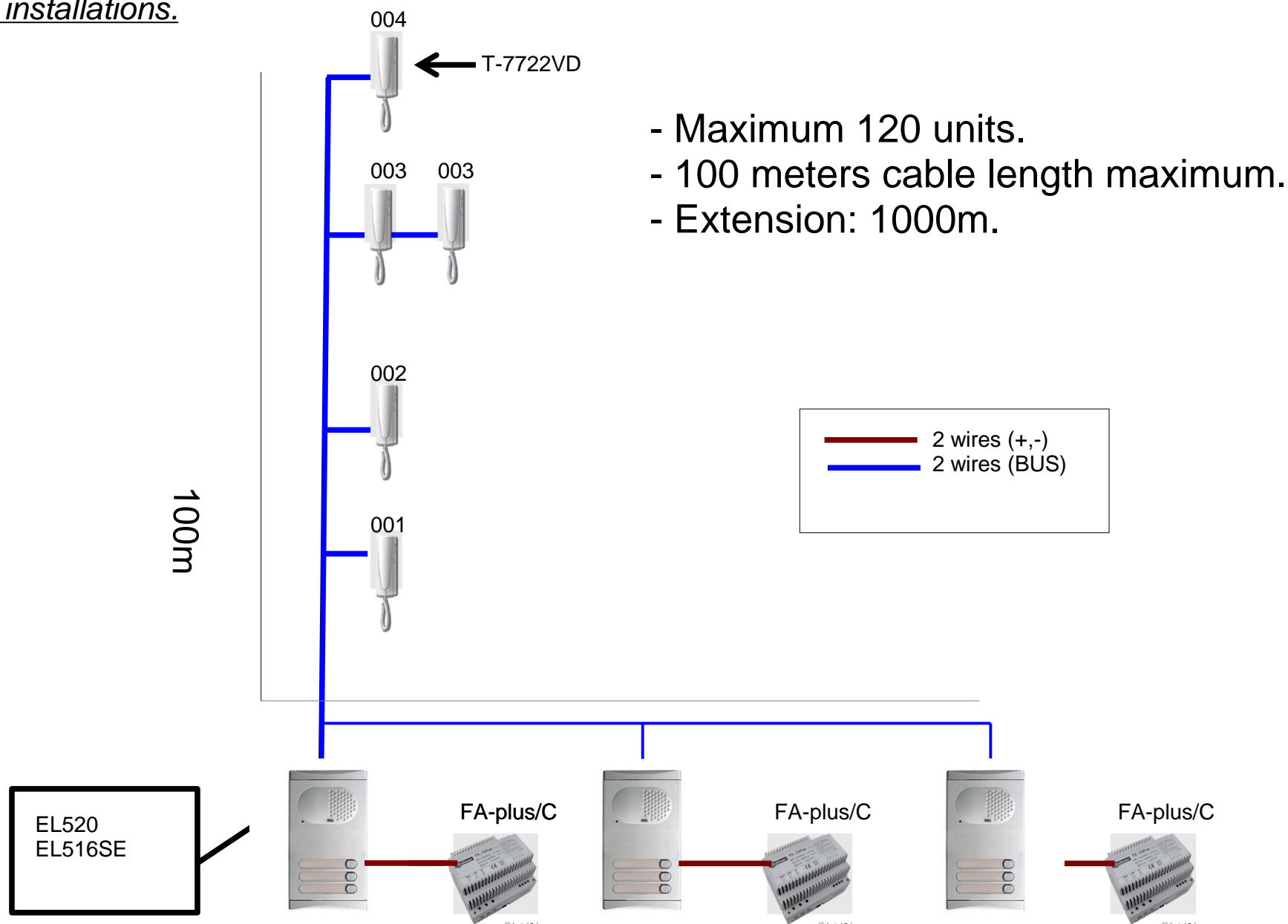
#### 2Plus

- 3 door entry panels. (Stadio or Rock INOX)
- Nexa entry panels by using converter CD-2Plus
- 120 telephones
- Up to 2 devices per apartment

#### V2plus

- 3 entry panels (Stadio or Rock INOX), needs multiplexer MC.V2plus
- Nexa entry panels by using converter CD-V2Plus
- Up to 32 items “Monitors / Handsets” per riser of multiplexer (120 maximum)
- Up to 3 items (Monitors, Handsets or Auxiliary sound devices “S-45”) per apartment.

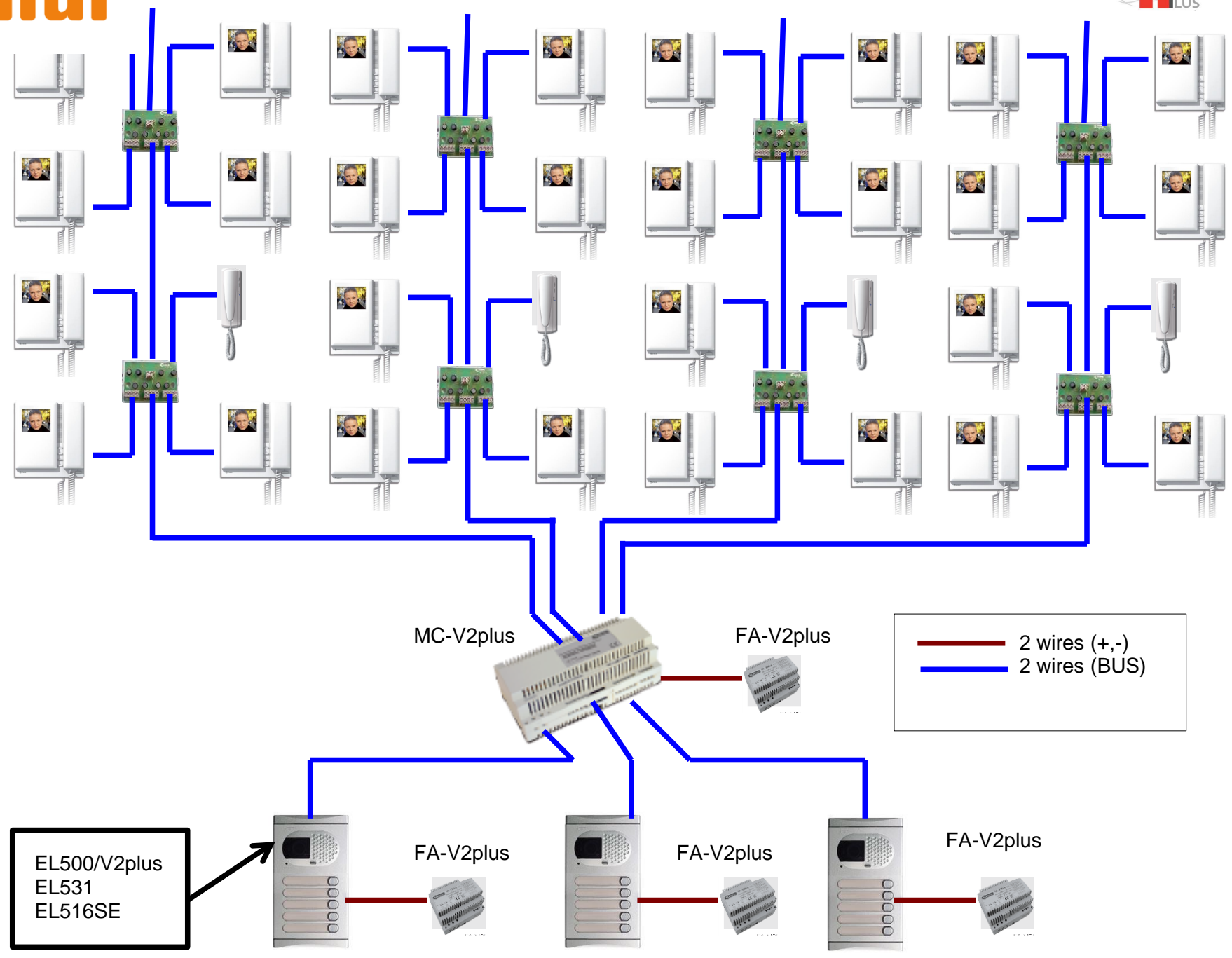
## Type 1: Small installations.



350/120

150 m

200 m



MC-V2plus

FA-V2plus

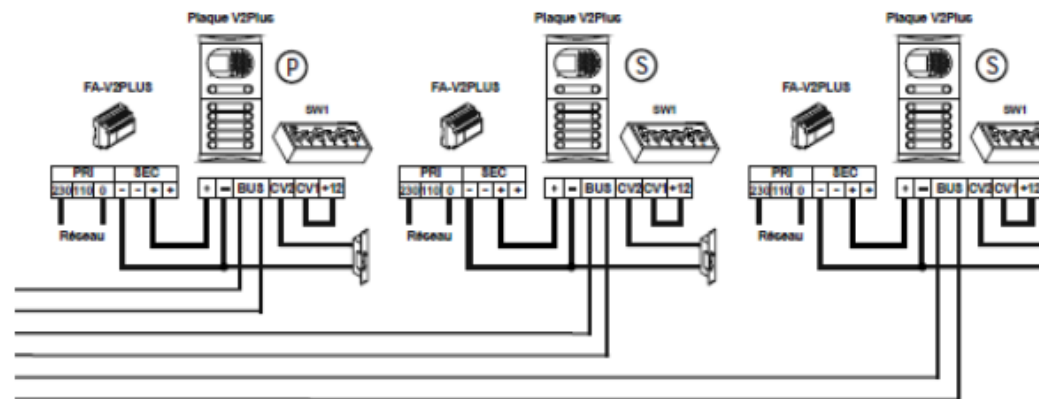
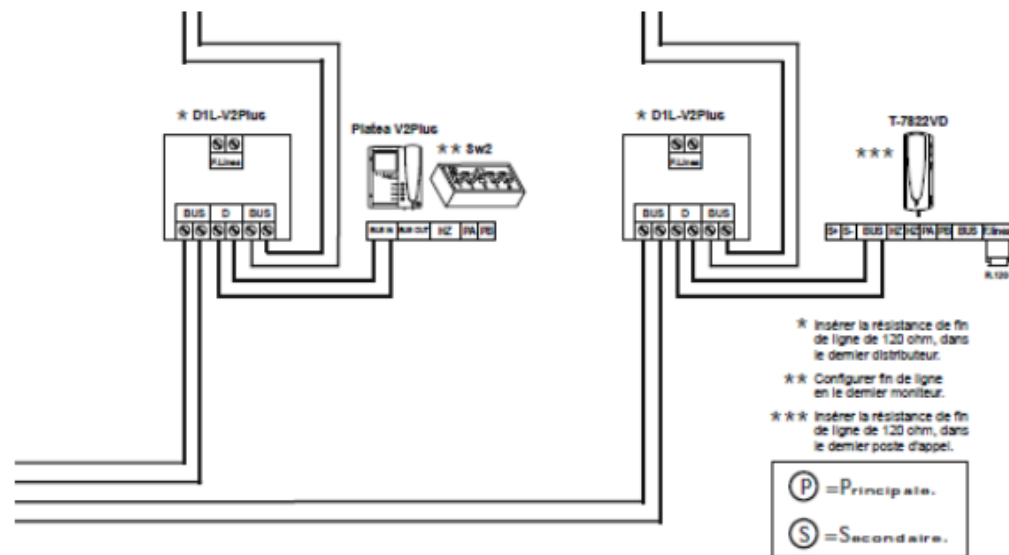
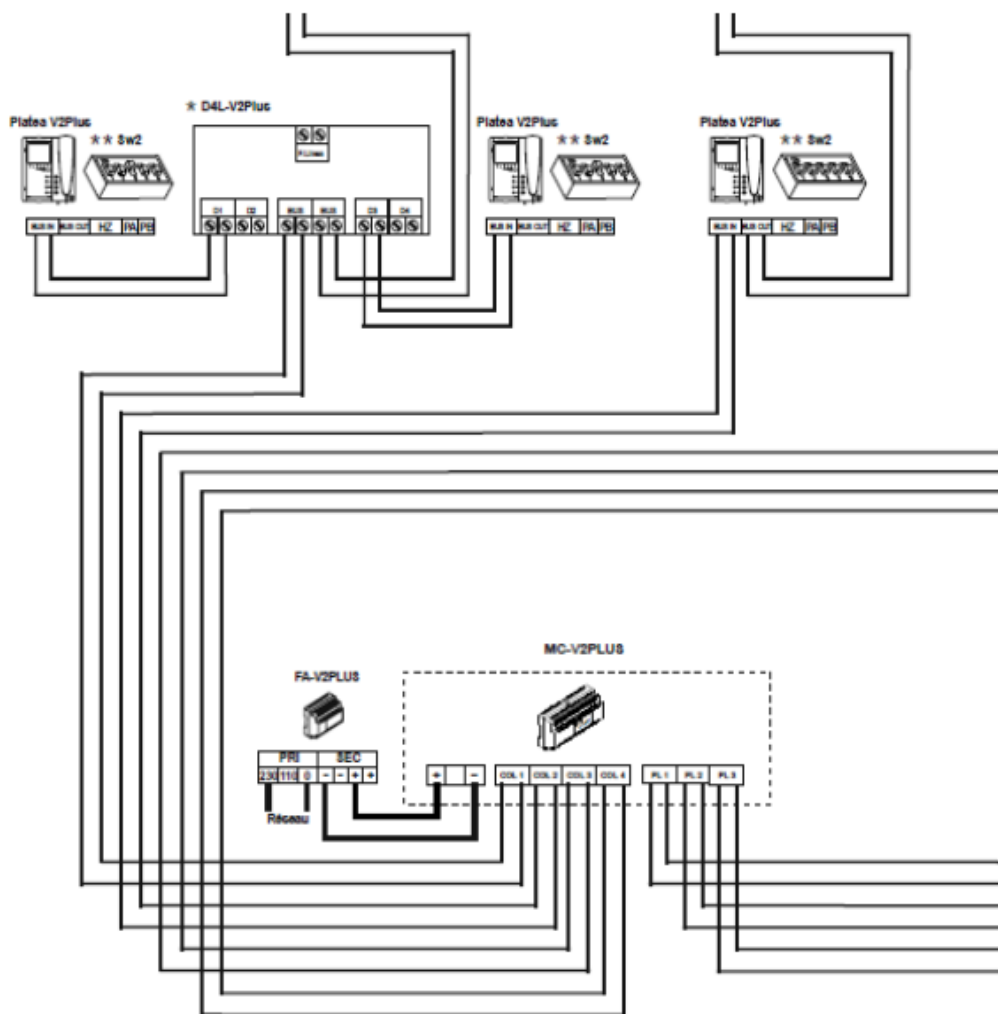
— 2 wires (+,-)  
— 2 wires (BUS)

EL500/V2plus  
EL531  
EL516SE

FA-V2plus

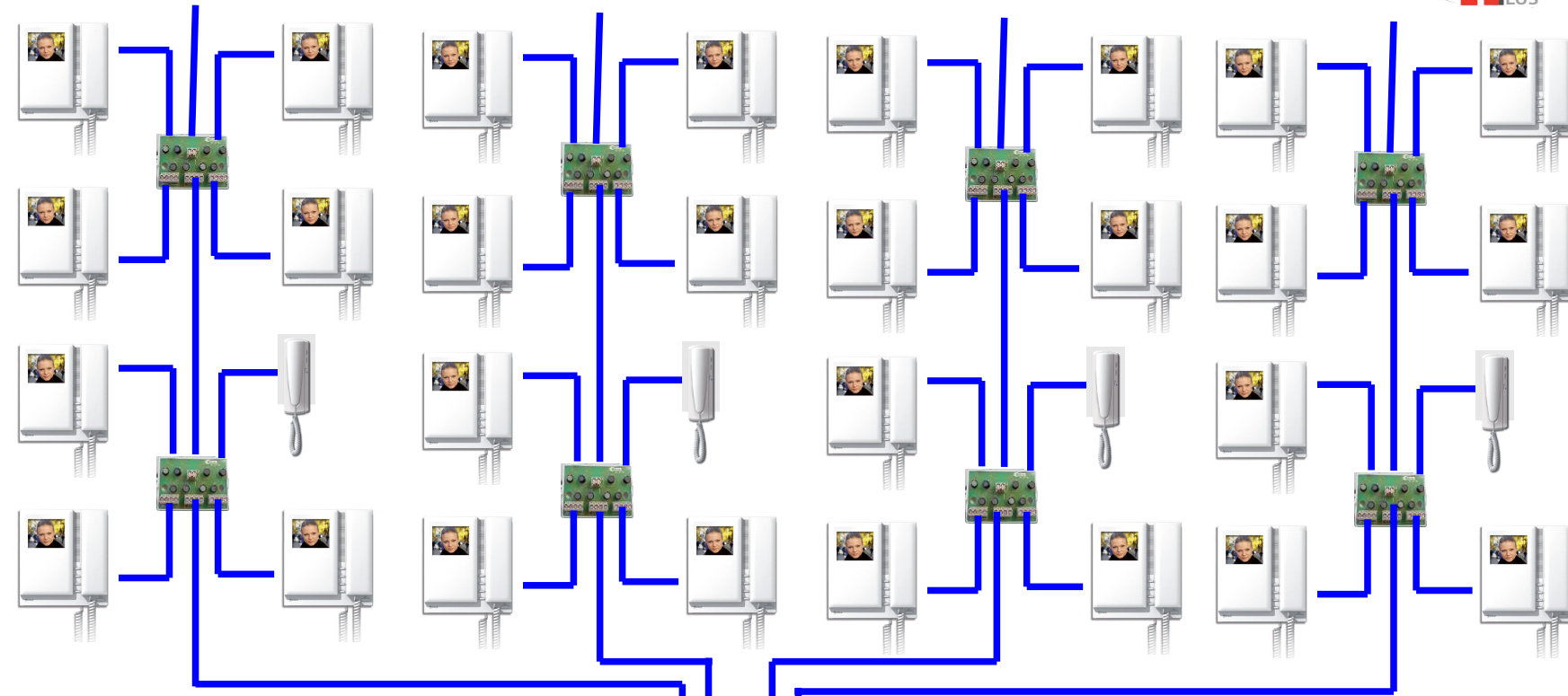
FA-V2plus

FA-V2plus



350/120

150 m



FA-V2plus



CD-V2plus



MC-V2plus

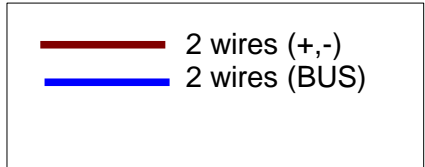
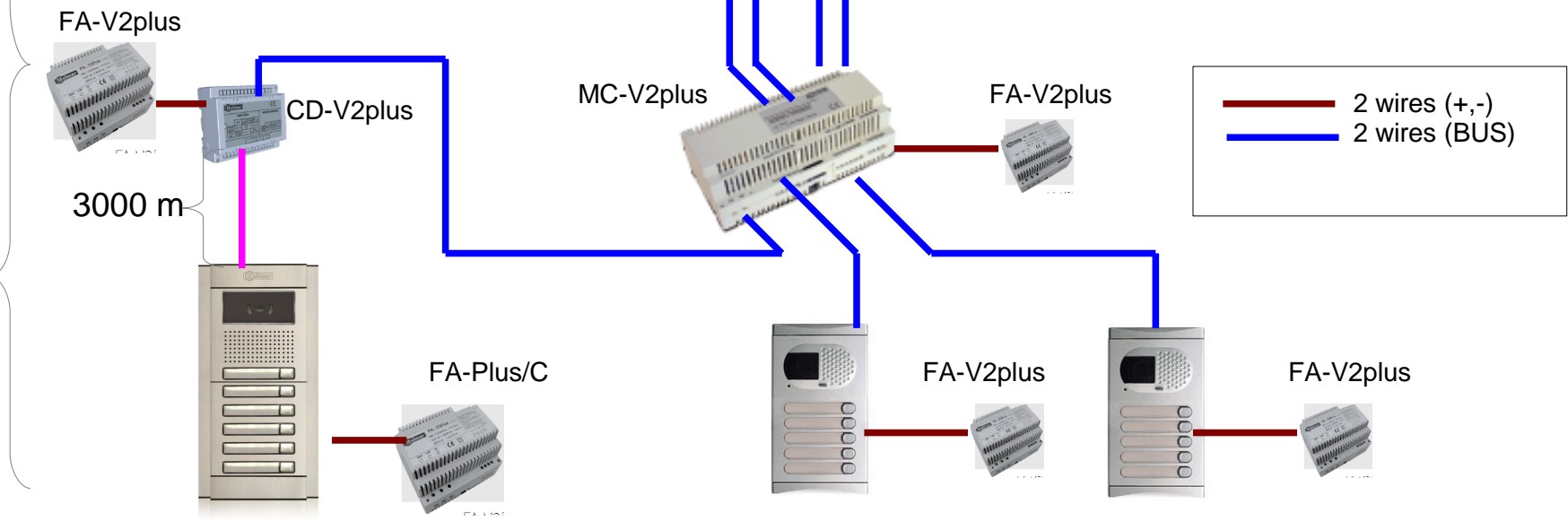


FA-V2plus



3000 m

200 m



FA-Plus/C



FA-V2plus



FA-V2plus

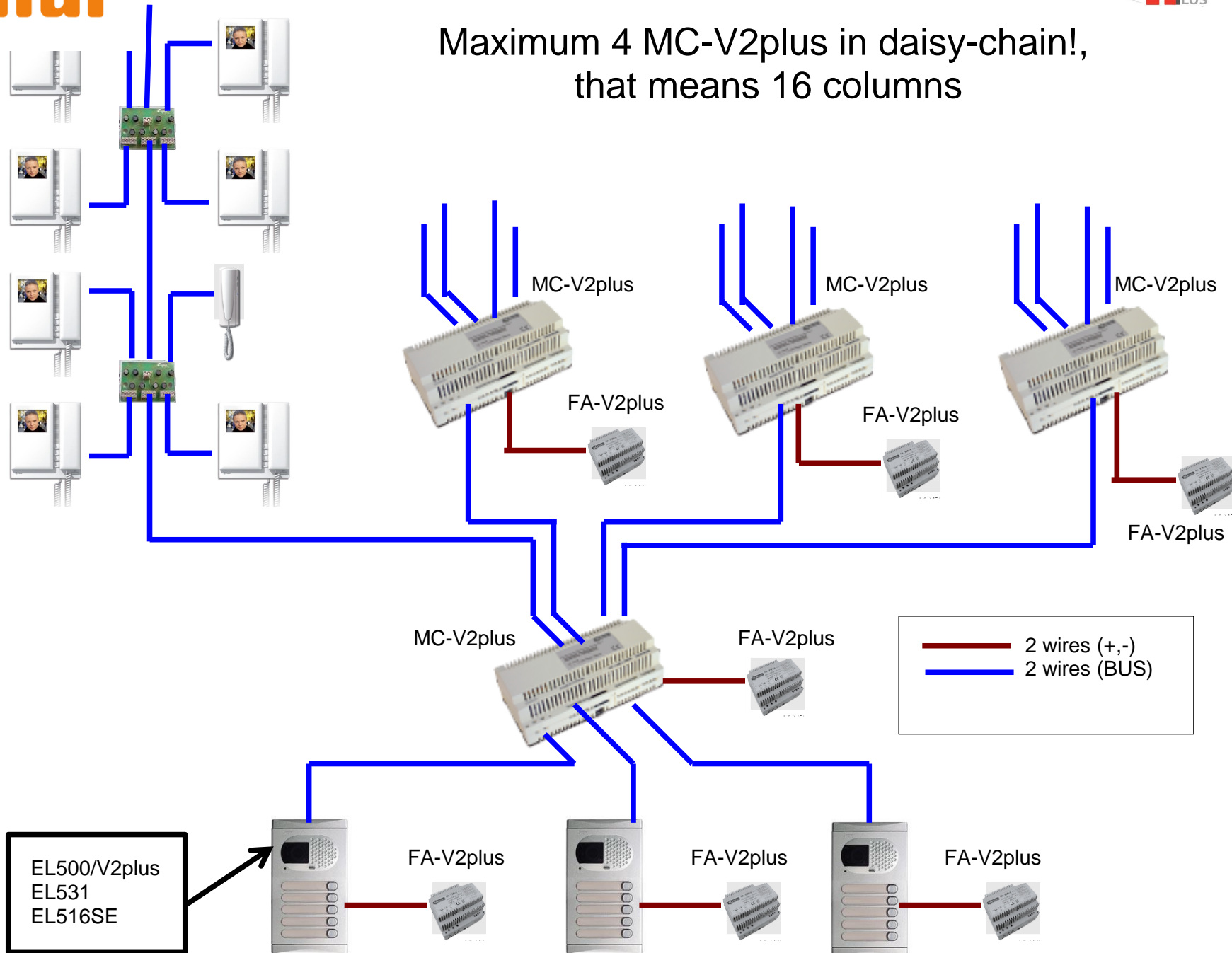


350/120

Maximum 4 MC-V2plus in daisy-chain!,  
that means 16 columns

150 m

200 m



EL500/V2plus  
EL531  
EL516SE

FA-V2plus

FA-V2plus

FA-V2plus

MC-V2plus

FA-V2plus

FA-V2plus

FA-V2plus

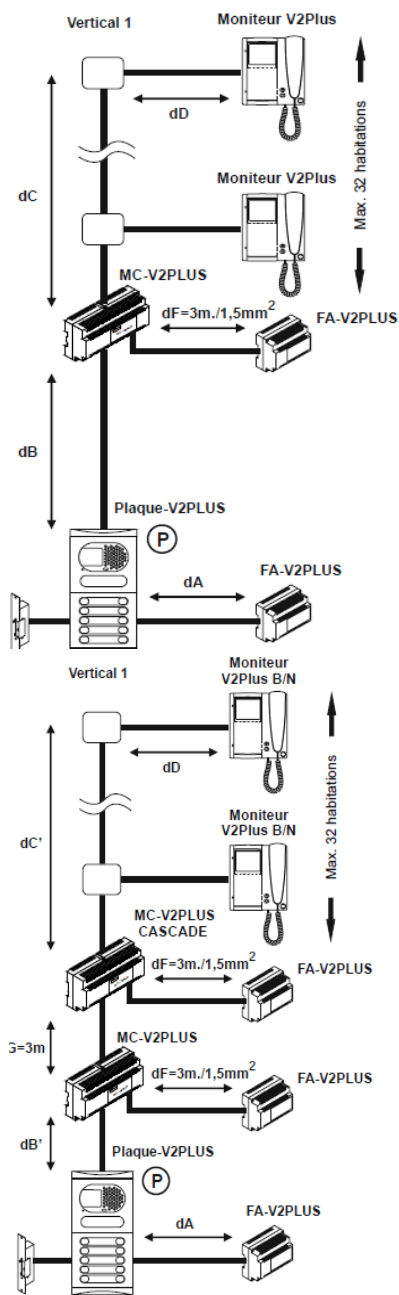
FA-V2plus

MC-V2plus

MC-V2plus

MC-V2plus

— 2 wires (+,-)  
— 2 wires (BUS)



Cables and sections	aA	aB	aD	aC+aD	aB'	aC'+aD
0,25mm <sup>2</sup> (twisted).	10m.	50m.	15m.	40m.	37m.	26m.
0,5mm <sup>2</sup> (twisted).	20m.	100m.	15m.	70m.	75m.	46m.
1mm <sup>2</sup> (twisted).	40m.	100m.	15m.	100m.	75m.	67m.
1,5mm <sup>2</sup> (twisted).	50m.	150m.	15m.	100m.	112m.	67m.
0,18mm <sup>2</sup> (multipaired).	5m.	35m.	15m.	25m.	26m.	16m.
0,18x2 = 0,36mm <sup>2</sup> (multipaired).	10m.	70m.	15m.	50m.	52m.	33m.
0,18x4 = 0,72mm <sup>2</sup> (multipaired).	25m.	100m.	15m.	100m.	75m.	67m.
*Rap-2150 1mm <sup>2</sup> (twisted).	40m.	200m.	15m.	150m.	150m.	100m.
1 par UTP Cat 5 0,18mm <sup>2</sup> .	5m.	35m.	15m.	25m.	26m.	16m.
2 par UTP Cat 5 0,18x2 = 0,36mm <sup>2</sup> .	10m.	70m.	15m.	50m.	52m.	33m.
4 par UTP Cat 5 0,18x4 = 0,72mm <sup>2</sup> .	25m.	100m.	15m.	100m.	75m.	67m.

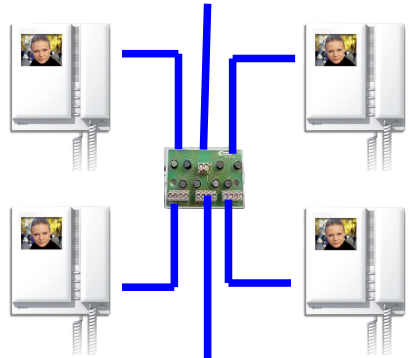
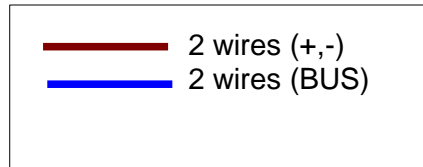
\* Use Golmar RAP-2150 cable, for new installations.

550/120

150 m

200 m

200 m



MC-V2plus

FA-V2plus

RD-V2plus

3m

FA-V2plus

RD-V2plus

3m

FA-V2plus

RD-V2plus

3m

FA-V2plus

FA-V2plus

CD-V2plus

3000 m

FA-V2plus

FA-V2plus





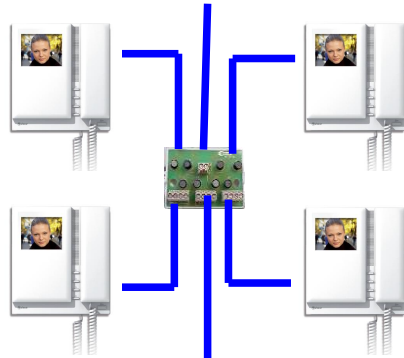
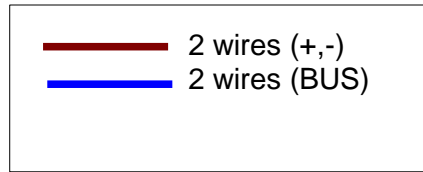
600/120

100 m

150 m

150 m

200 m



MC-V2plus

FA-V2plus

RD-V2plus

FA-V2plus

RD-V2plus

3m

FA-V2plus

RD-V2plus

3m

FA-V2plus

RD-V2plus

3m

FA-V2plus

RD-V2plus

3m

FA-V2plus

RD-V2plus

3m

FA-V2plus

FA-V2plus

CD-V2plus

FA-V2plus

FA-V2plus

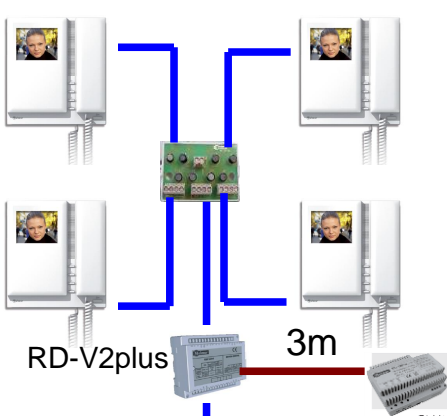
FA-V2plus

3000 m

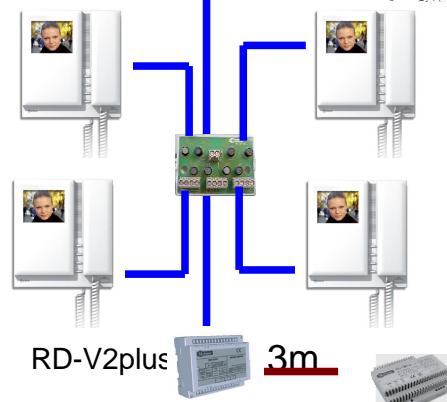


500/384

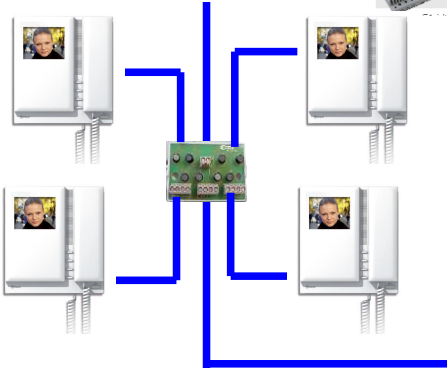
100 m



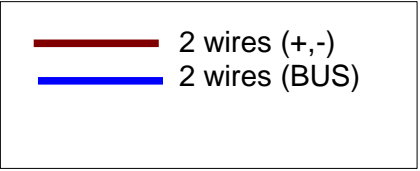
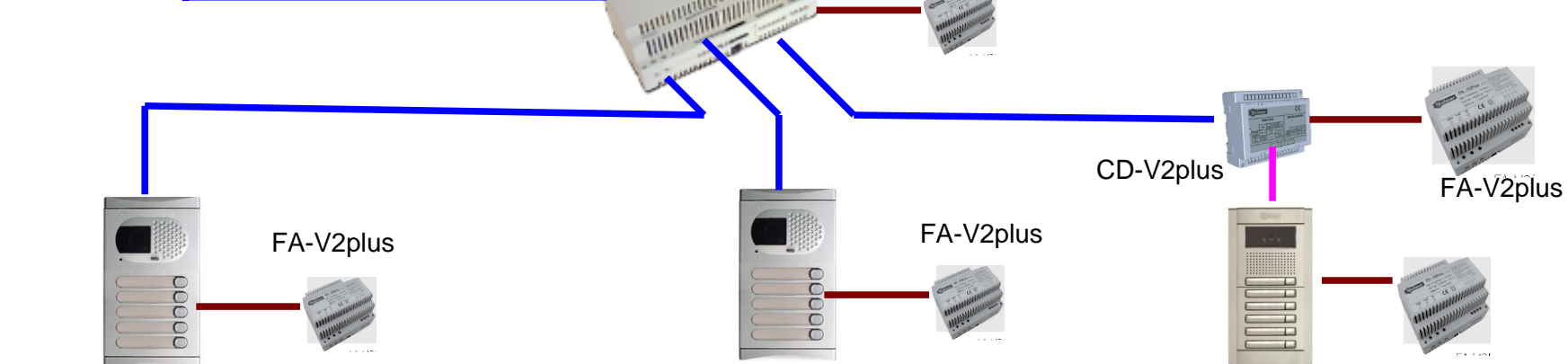
100 m



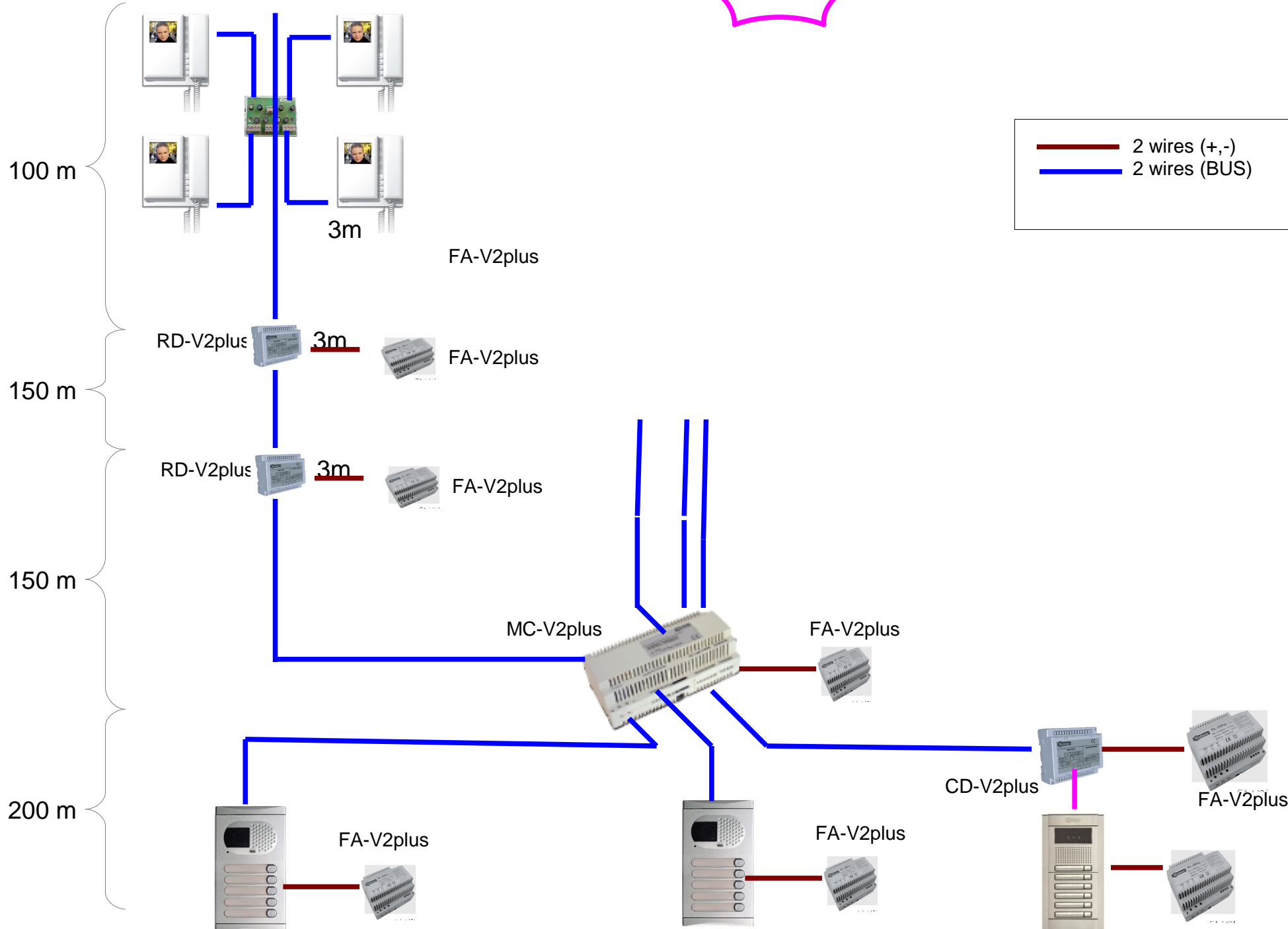
100 m

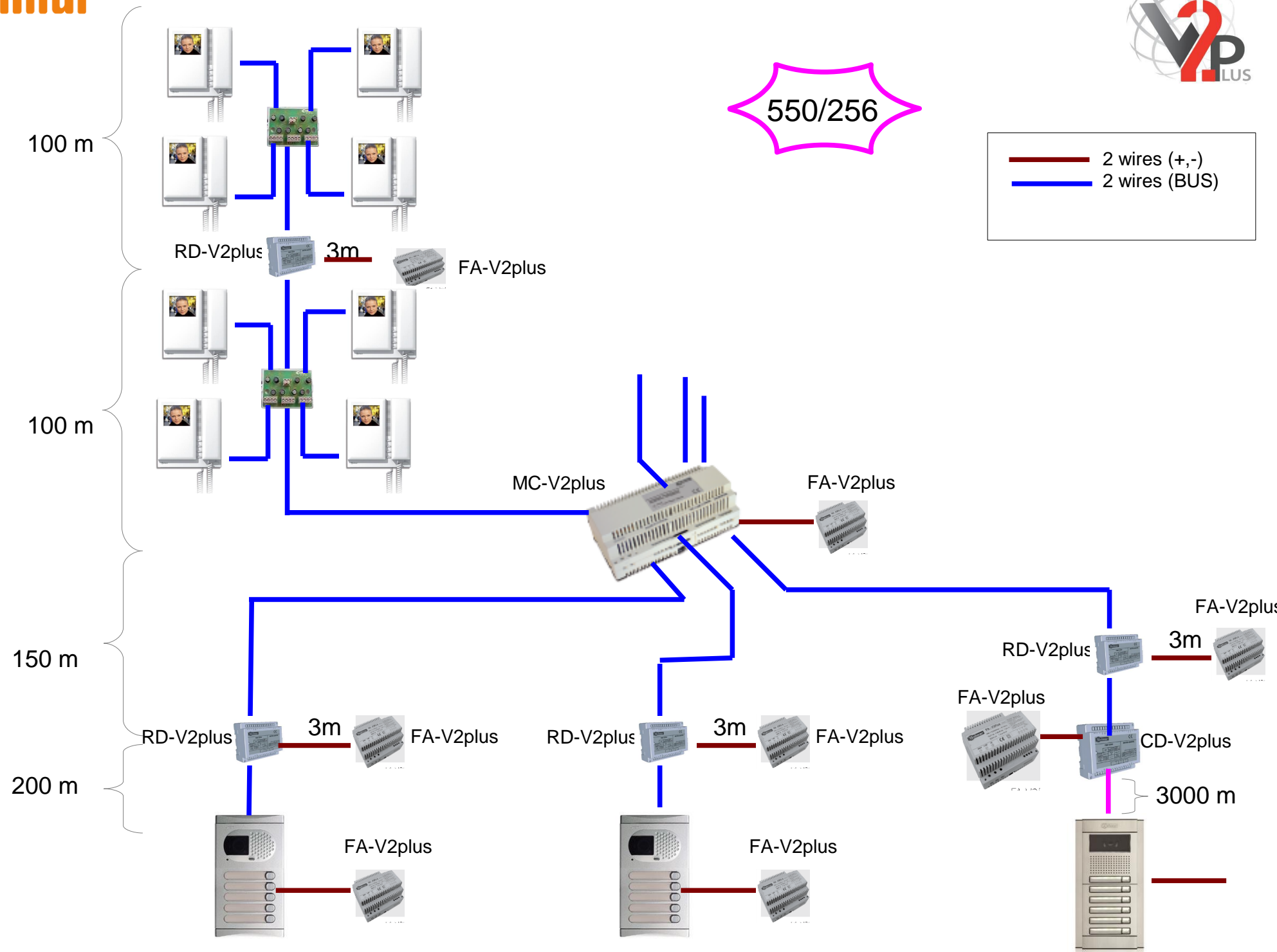


200 m



600/128



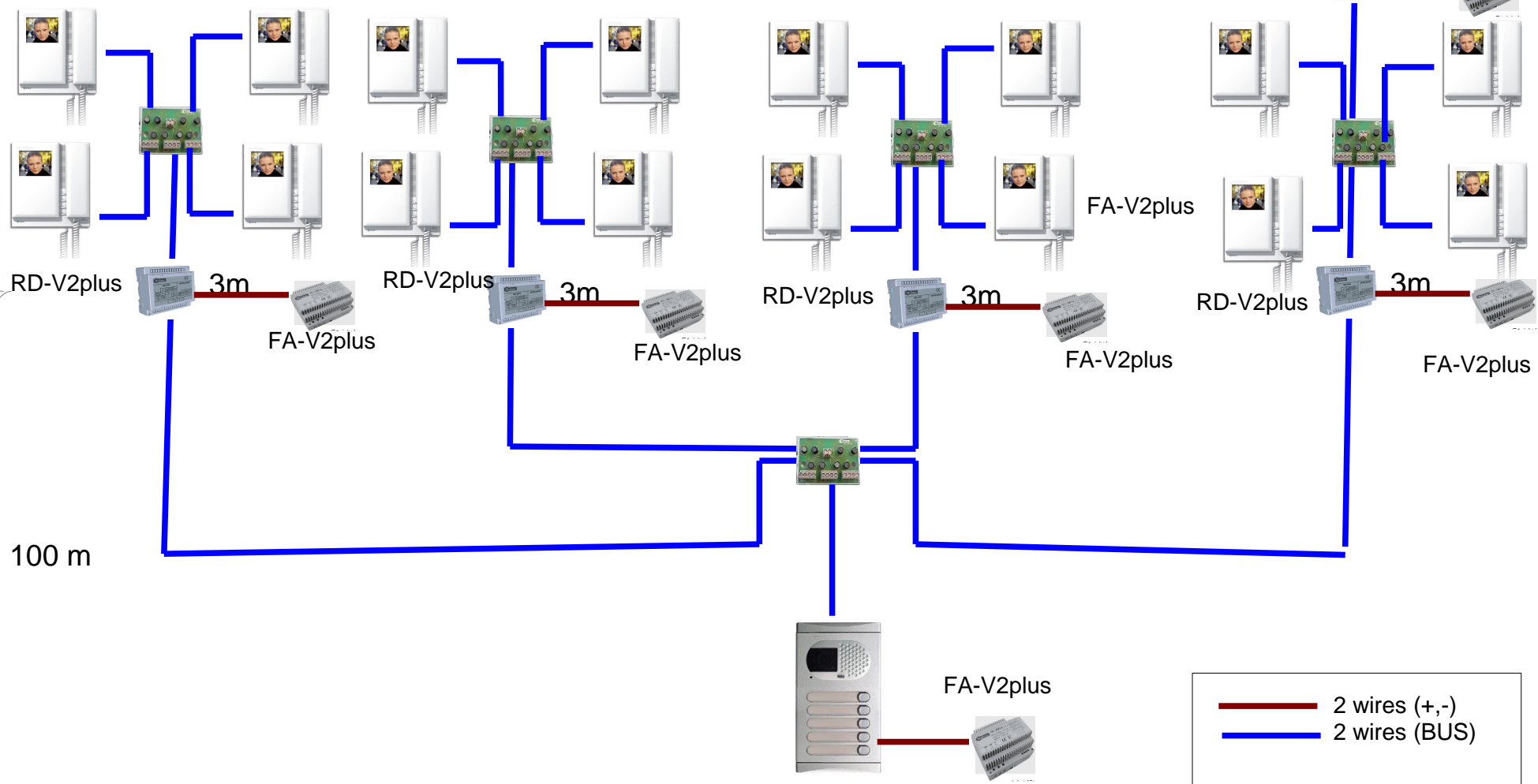


# Special connection 1

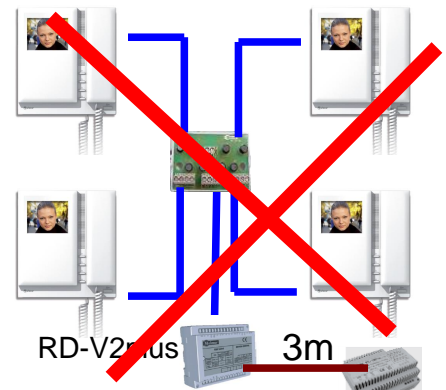
250/120

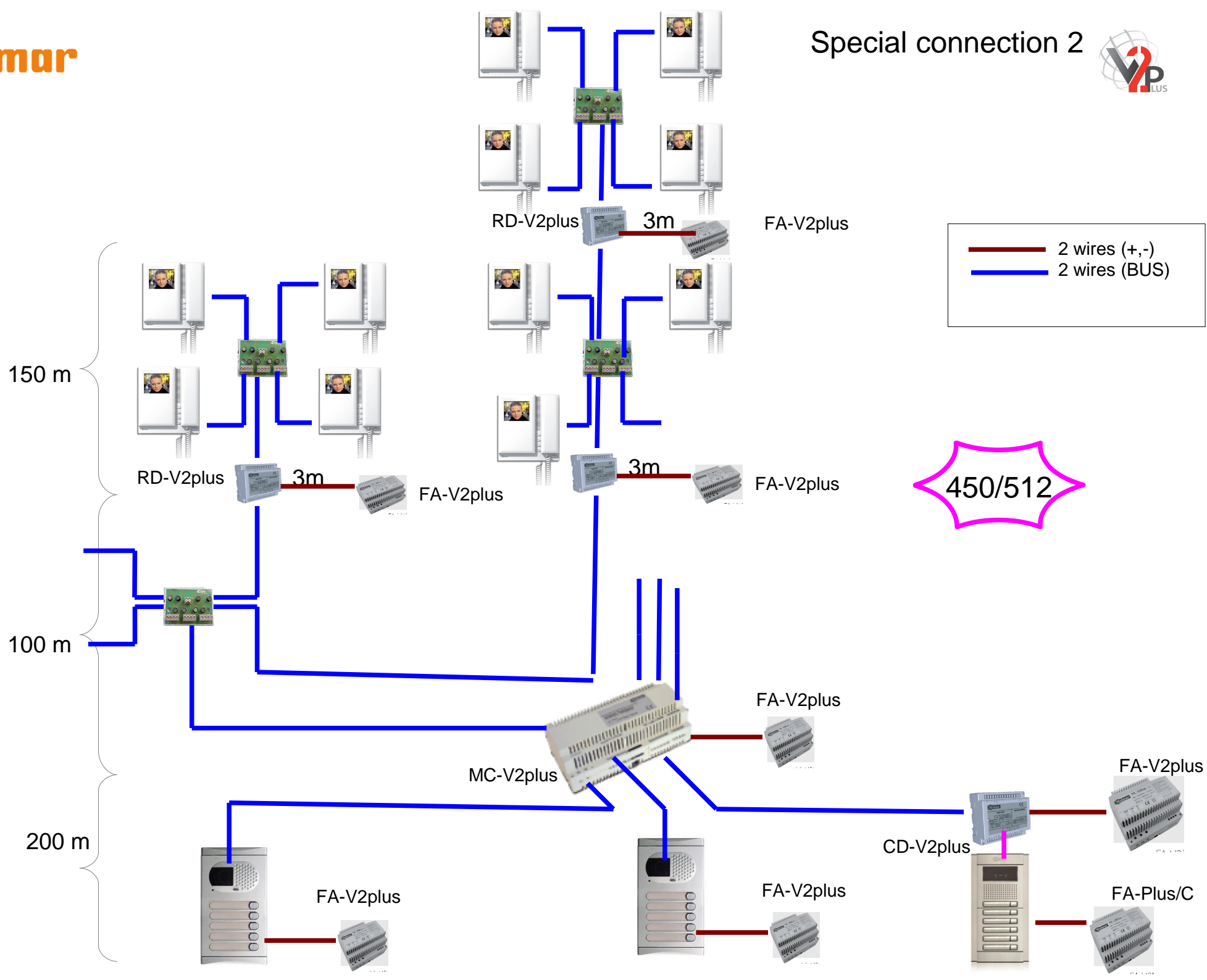
150 m

100 m



— 2 wires (+,-)  
— 2 wires (BUS)





450/512



## TYPE III

### Type 3: Specifications



- ❑ Large installations.

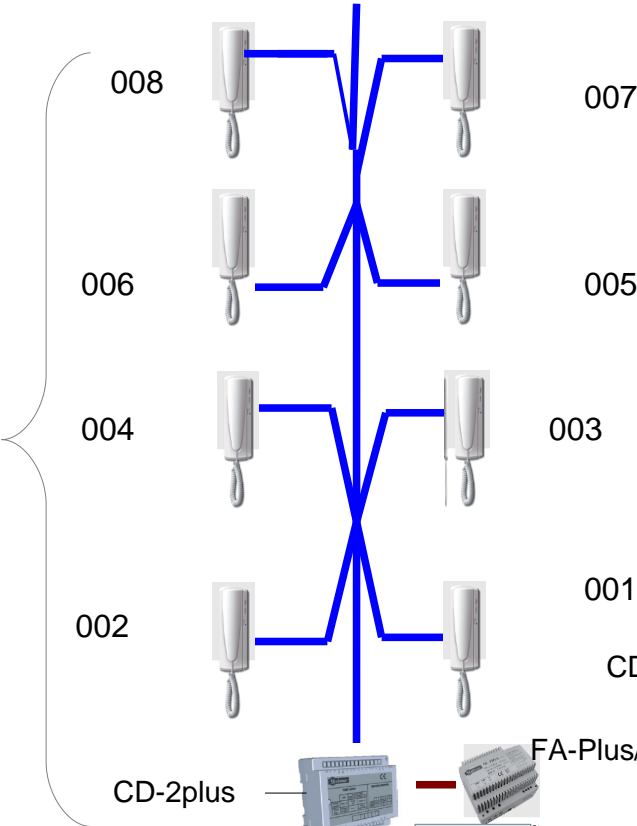
#### **2Plus**

- several entry panels, needs converter CD-2plus (Stadio or Rock INOX or Nexa)
- 120 apartments per converter (200 using code panels).
- multi building system
- Up to 2 devices per apartment

#### **V2plus**

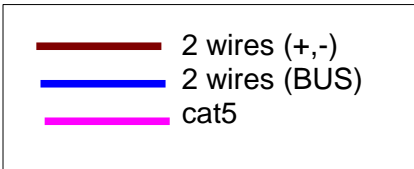
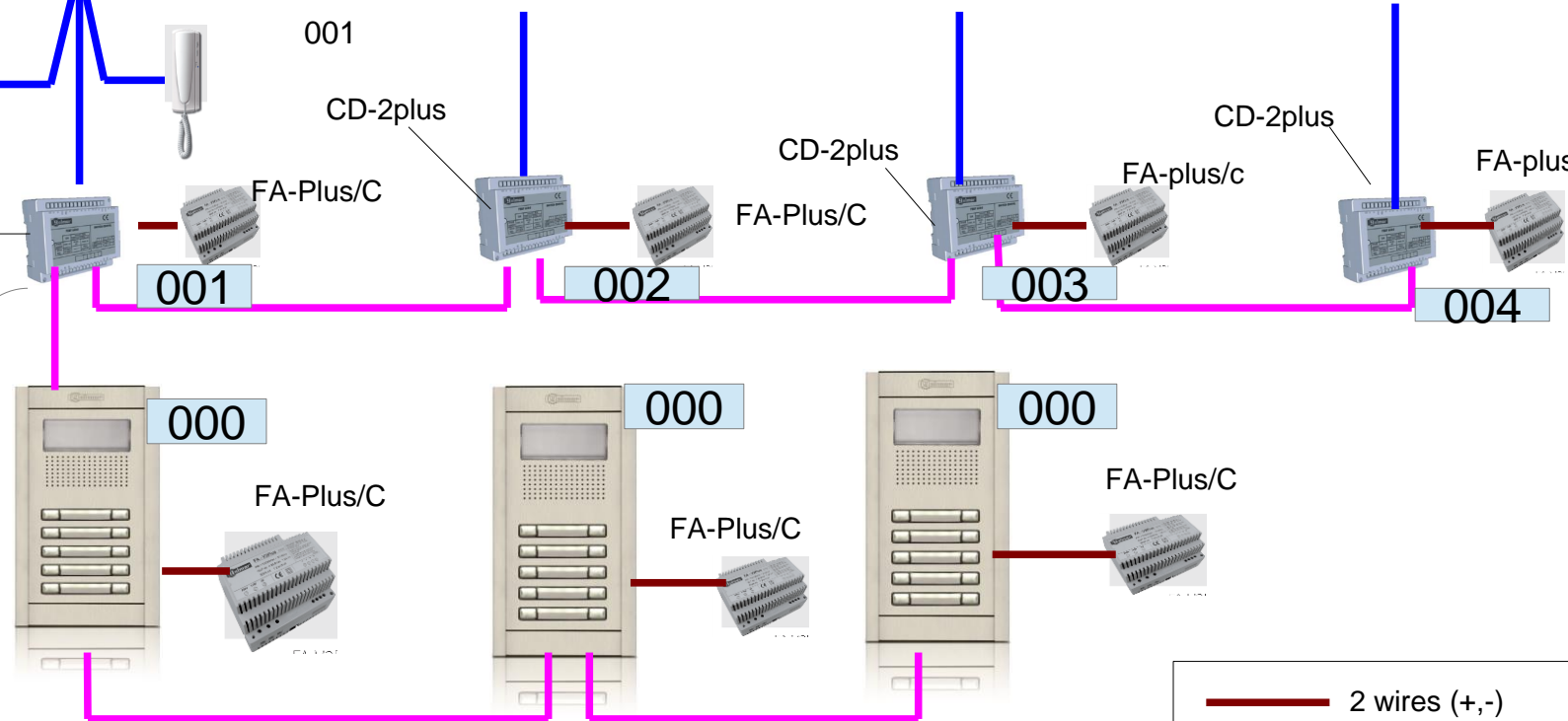
- Several entry panels (Stadio or Rock INOX or Nexa), needs converter CD-V2plus
- 120 apartments per converter. (using converter and multiplexer).
- Multi building system
- Up to 3 items (Monitors, Handsets or Auxiliary sound devices "S-45") per apartment.

Max.120



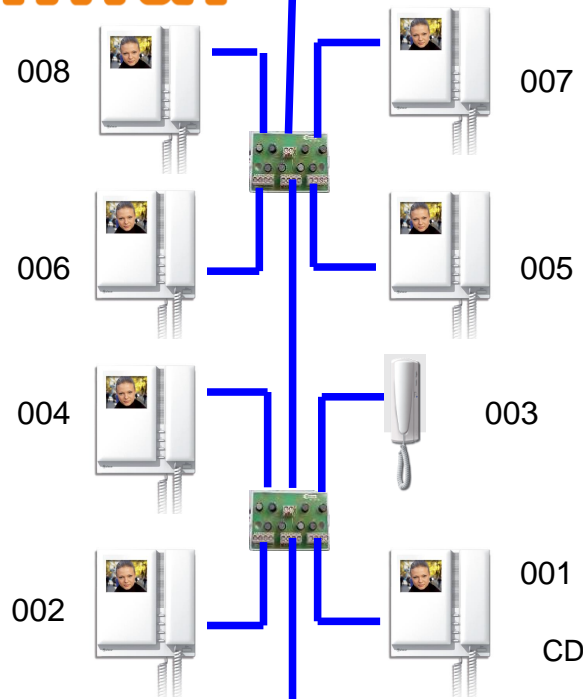
Maximum of 200 CD-2plus = 200\*120=24000

Audio: length 1000  
 Extension 2000  
 Data: Length 1000m x 3  
 Extension: 3000m x 3  
 X3 using RD-plus/UNO SE only

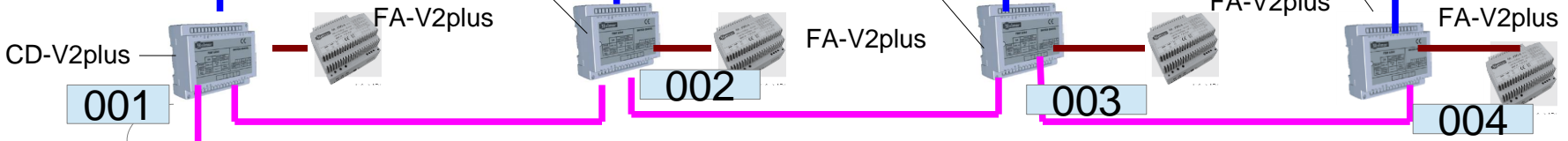




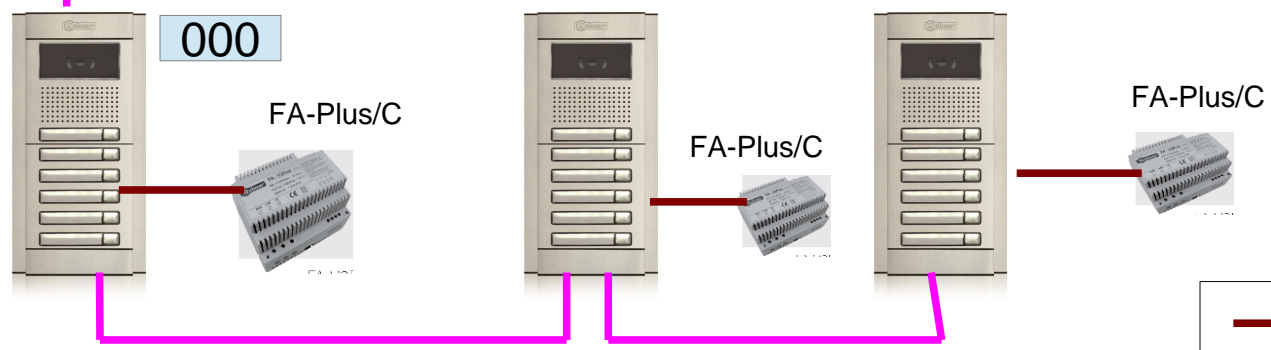
Max. 32



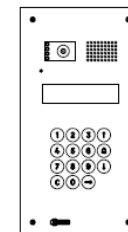
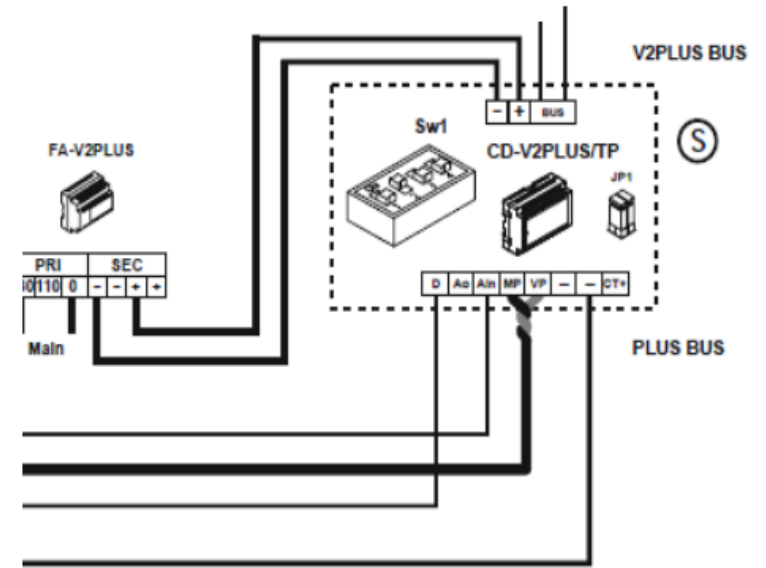
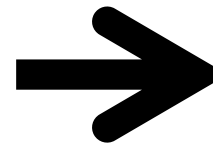
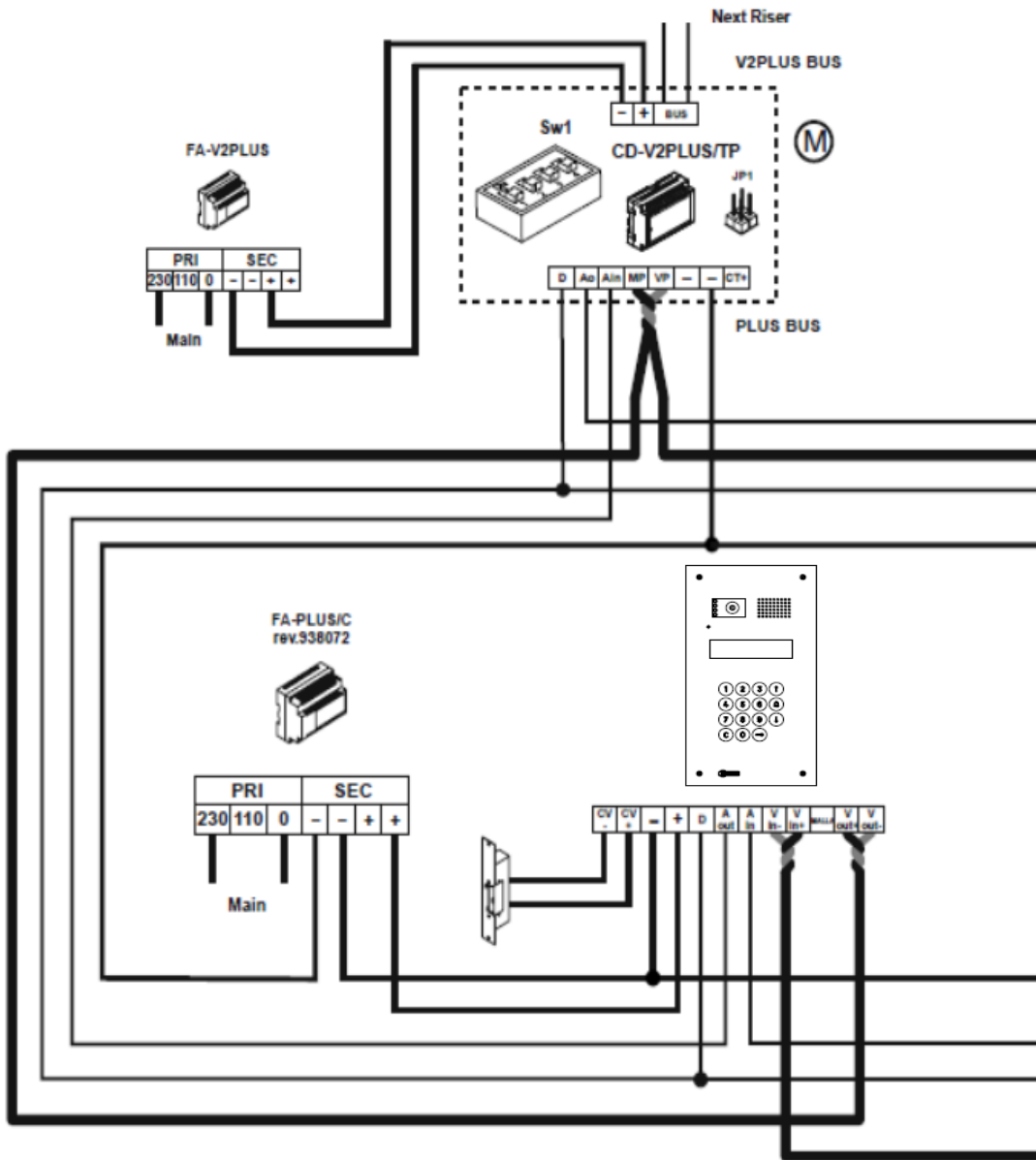
Maximum of 200 CD-V2plus = 200\*32=6400



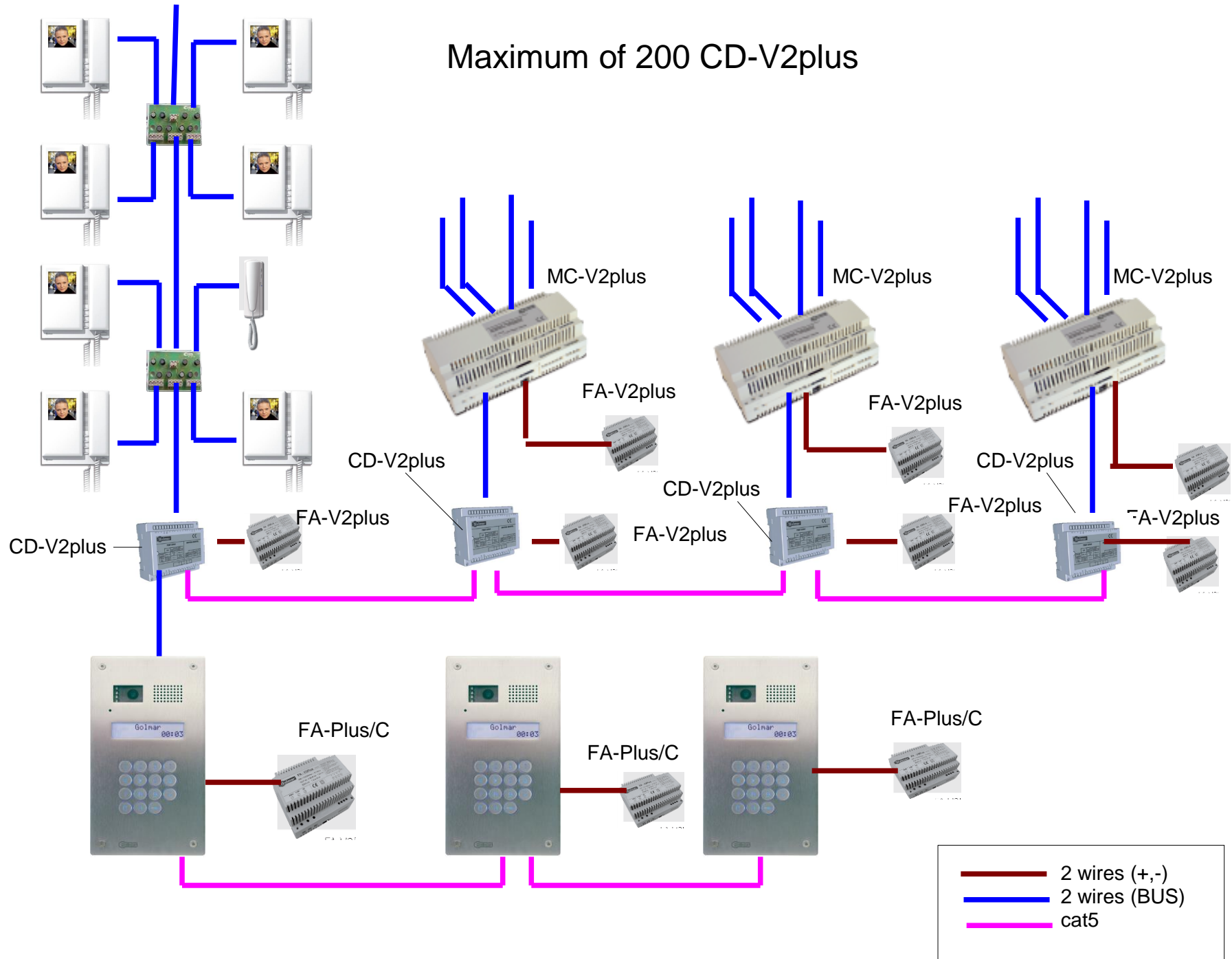
Audio: length 1000  
 Extension 2000  
 Data: Length 1000m x 3  
 Extension: 3000m x 3

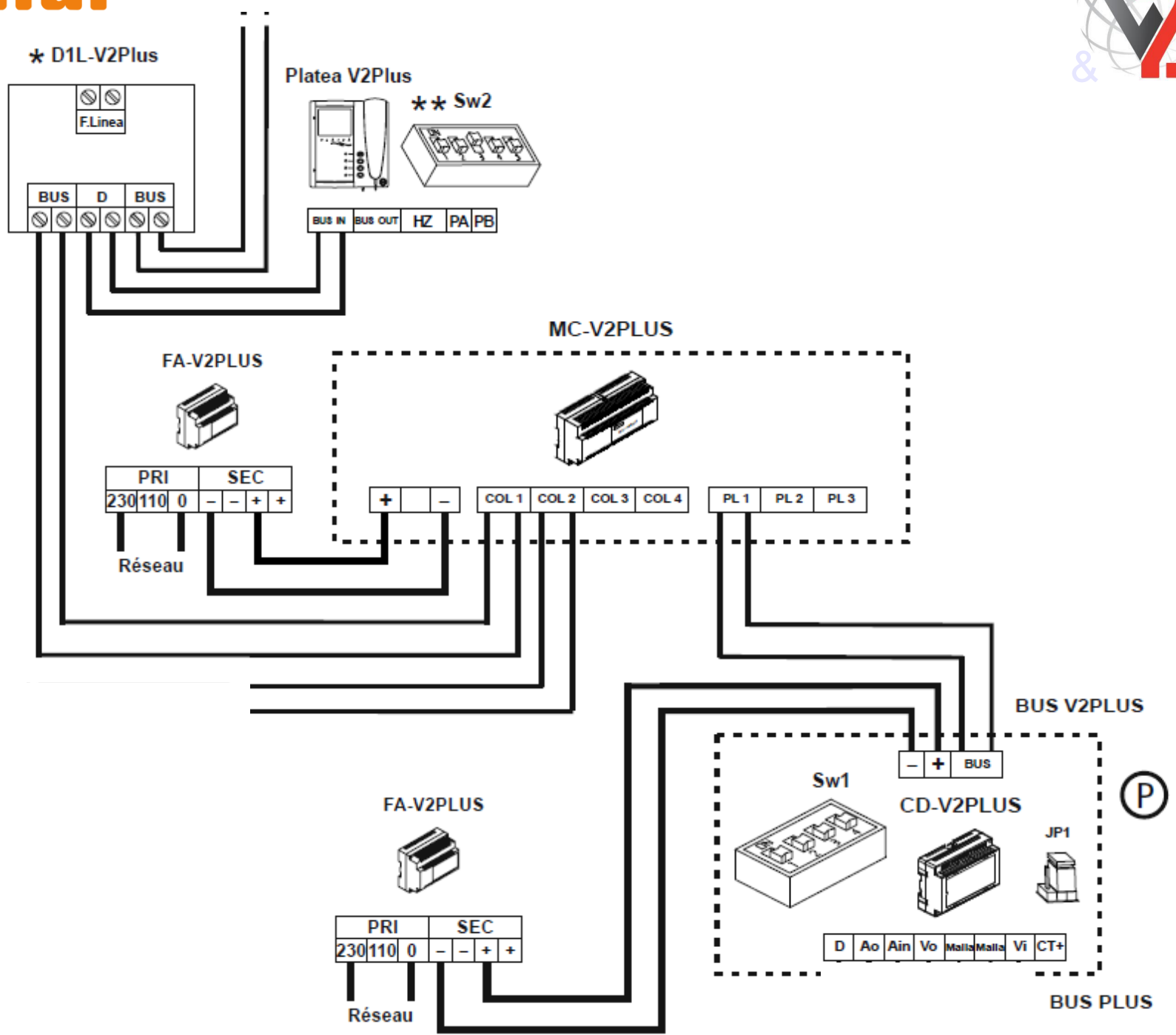


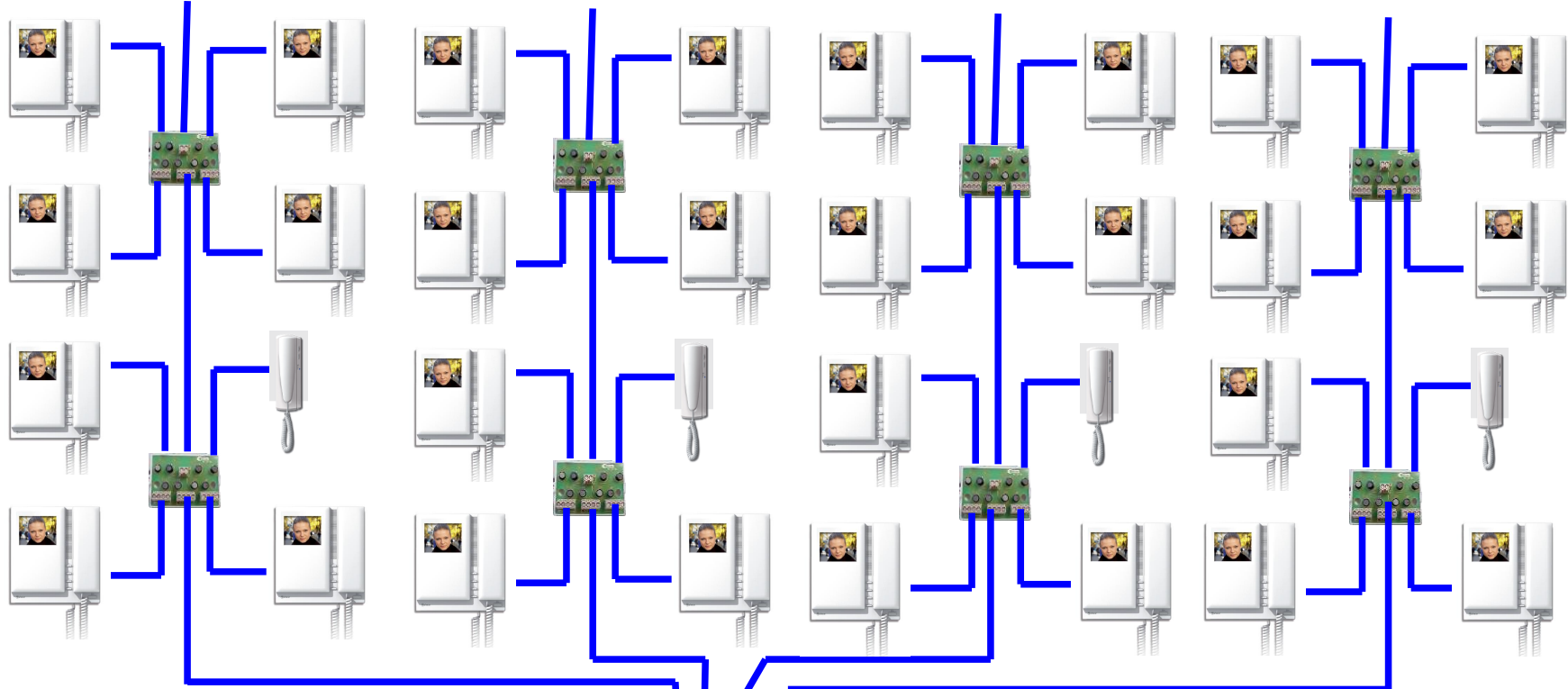
	2 wires (+,-)
	2 wires (BUS)
	cat5



Maximum of 200 CD-V2plus







MC-V2plus

FA-V2plus

CD-V2plus

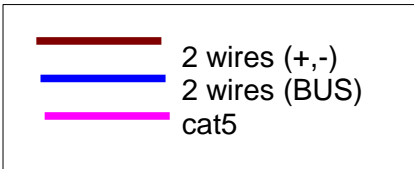
FA-V2plus

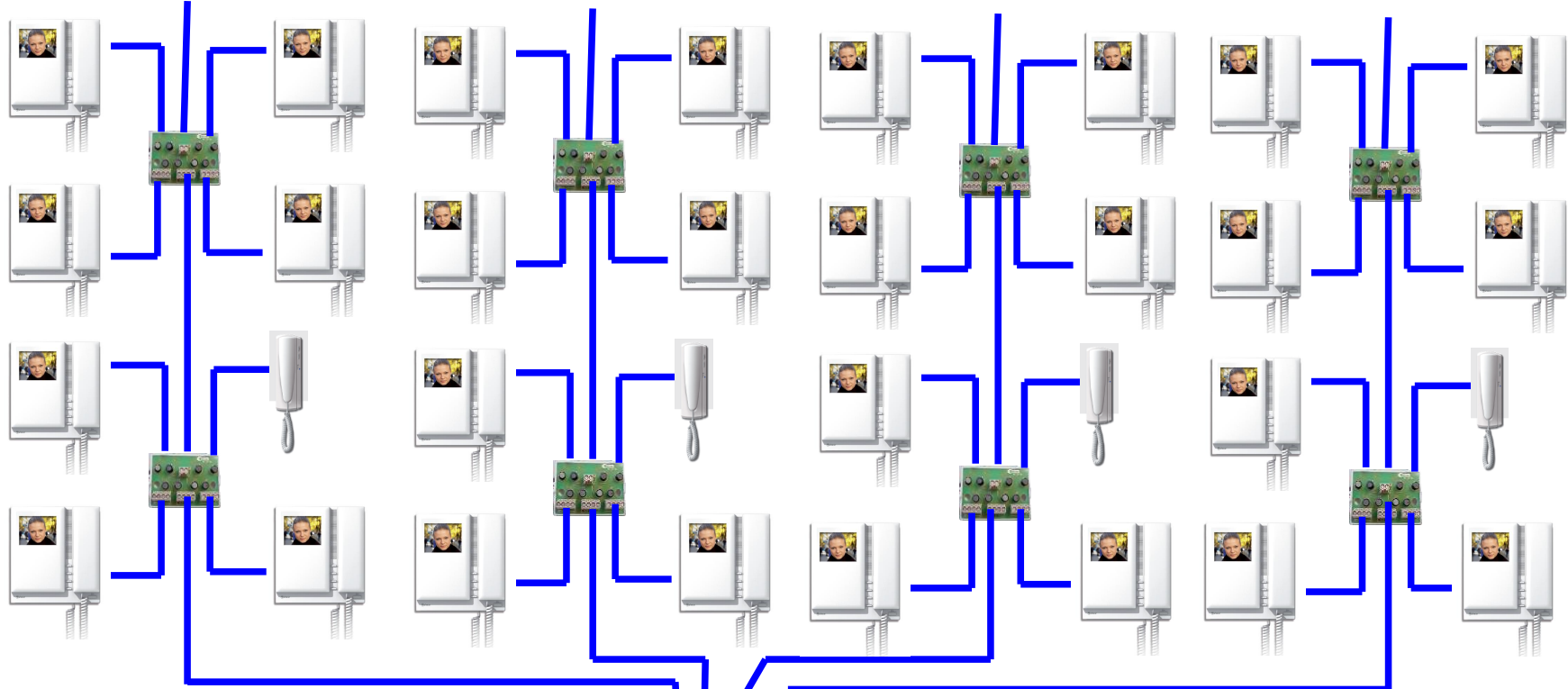
FA-Plus/C

FA-Plus/C

FA-Plus/C

FA-Plus/C





MC-V2plus

FA-V2plus

CD-V2plus

FA-V2plus

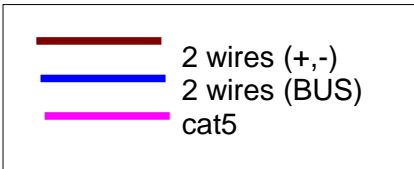
Junction box

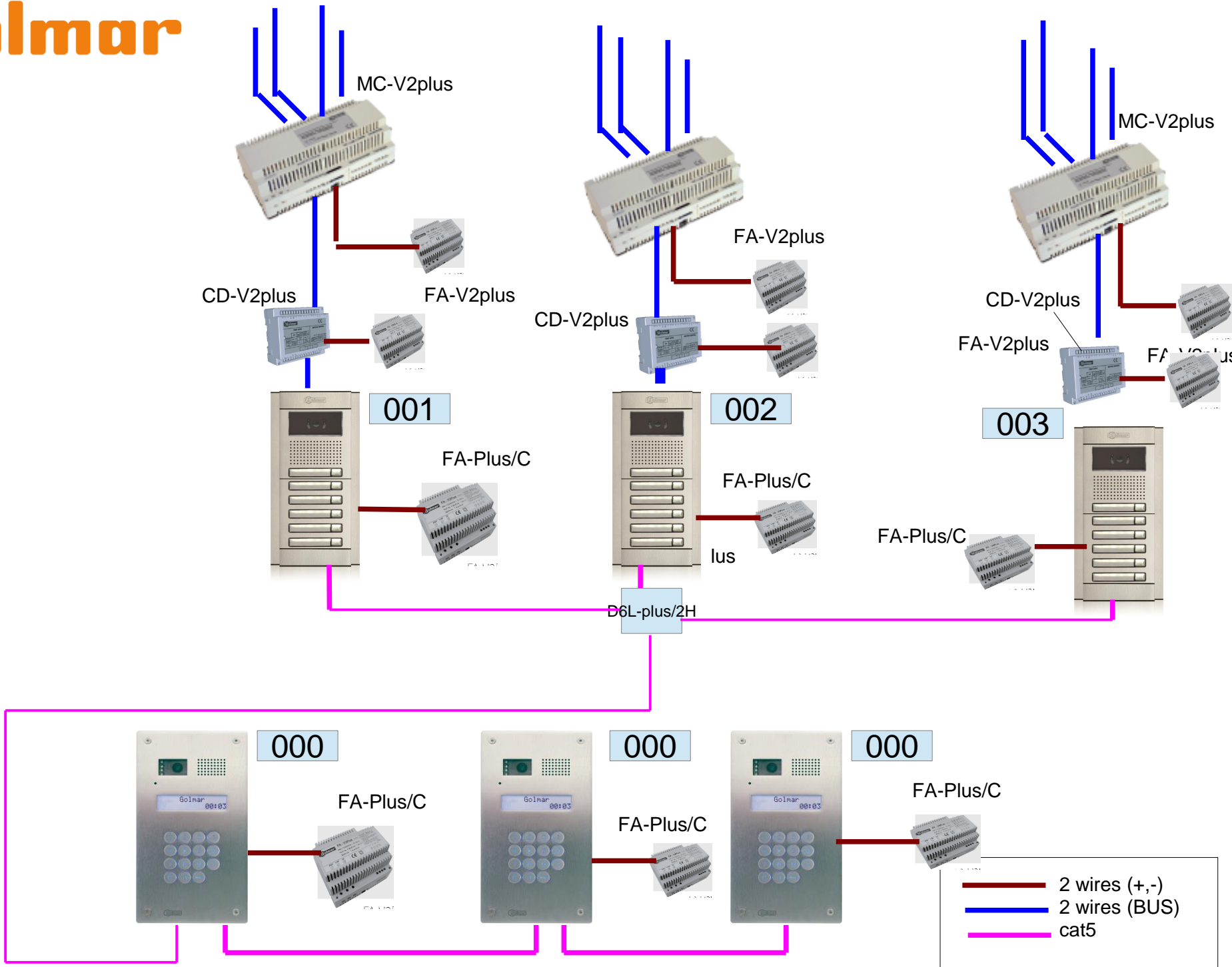
FA-Plus/C

FA-Plus/C

FA-Plus/C

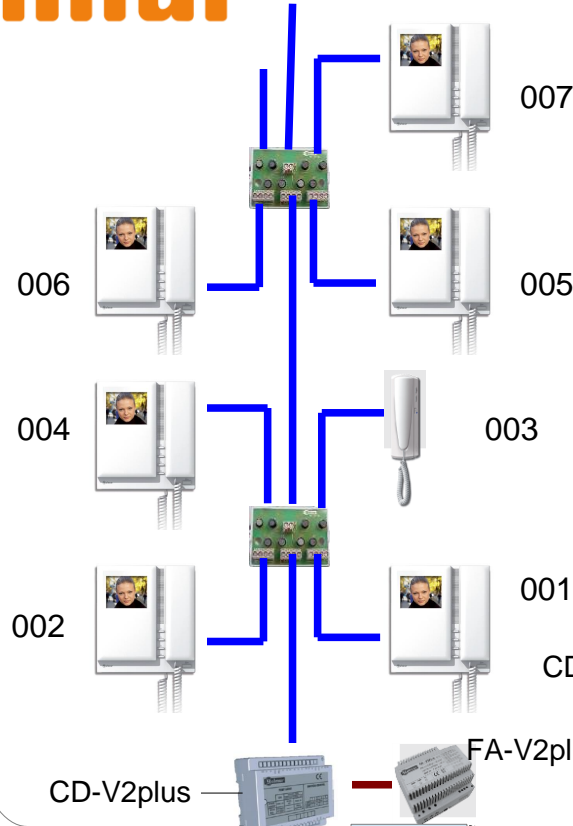
FA-Plus/C



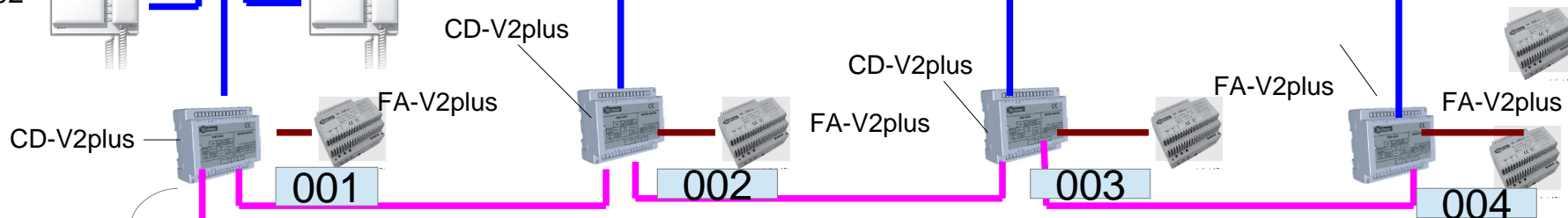




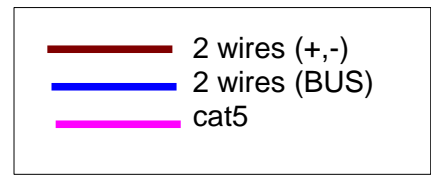
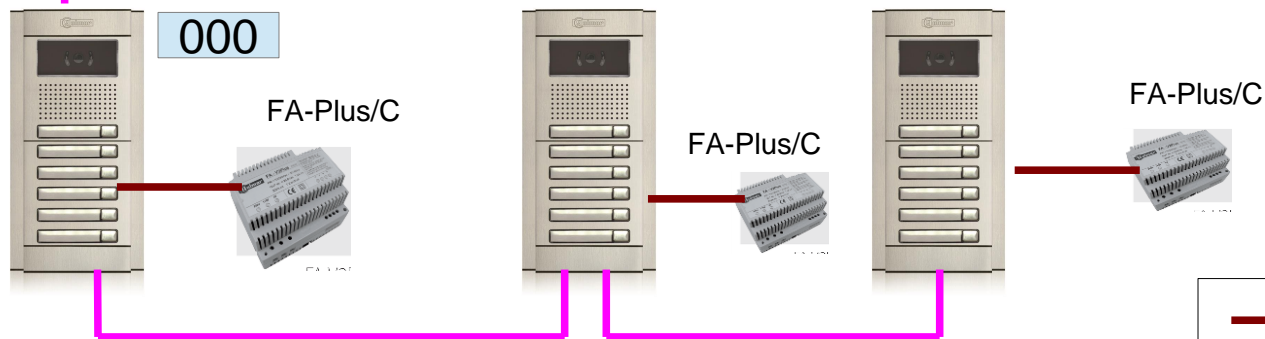
Max. 32



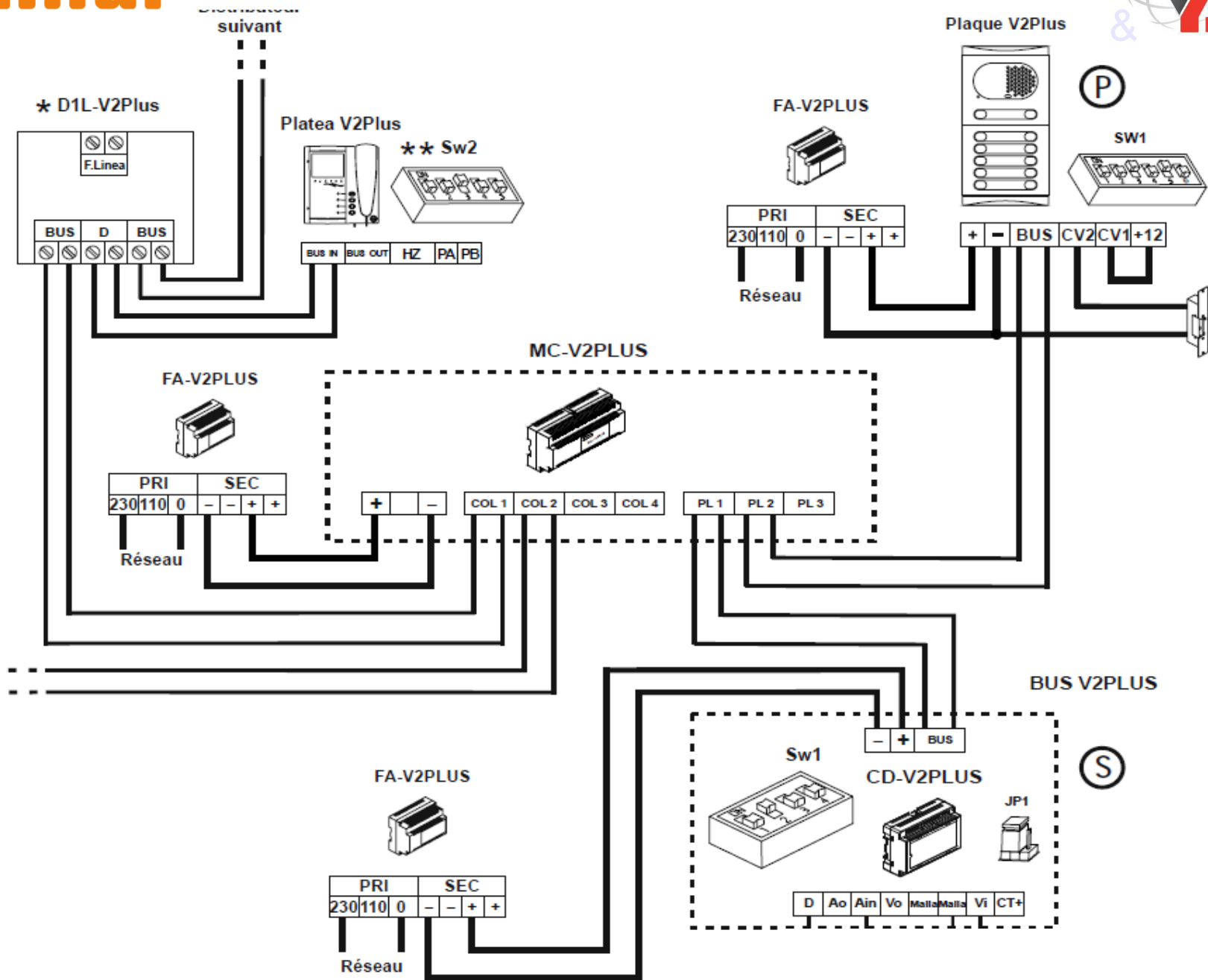
Maximum of 200 CD-V2plus



Audio: length 1000  
 Extension 2000  
 Data: Length 1000m x 3  
 Extension: 3000m x 3









More complicated combinations if considering **CD-V2Plus**, **MC-V2Plus** and **RD-V2Plus**.

Please refer to Gomar for such complicate situations!



**End of presentation.  
Thanks!**